



Supplied Hardware: [8] TRAX slot mounts,
 [8] 1/4-20 X 1 1/4" phillips combo head,
 [8] 1/4-20 serrated flange nuts, [4] Side towers,
 [4] 1/4-20 x 3/4 button head bolts, [4] D-ring tie downs,
 [1] 58" Guardrail/Support bar

Tools Needed: Phillips screwdriver, 1/8" allen wrench,
 7/16 wrench

PLEASE NOTE: Attaching the **SIDE KIX** to a **BEDSLIDE** that is narrower than **48"** in width will require cutting the support bar to the appropriate length. If applicable refer to the cut chart below then follow steps 1-4.

SUPPORT BAR CUT CHART				
BEDSLIDE PART NUMBERS		FACTORY LENGTH	CUT	NEW LENGTH
1000 CLASSIC	1500 CONTRACTOR			
10-7543-CLS		58"	5"	53"
10-7142-CLS		58"	6"	52"
10-7041-CLS		58"	7"	51"
10-7038-CLS		58"	10"	48"
10-6347-CLS	15-6347-CG	58"	1"	57"
10-6243-CLS		58"	5"	53"
10-5839-CLS		58"	9"	49"

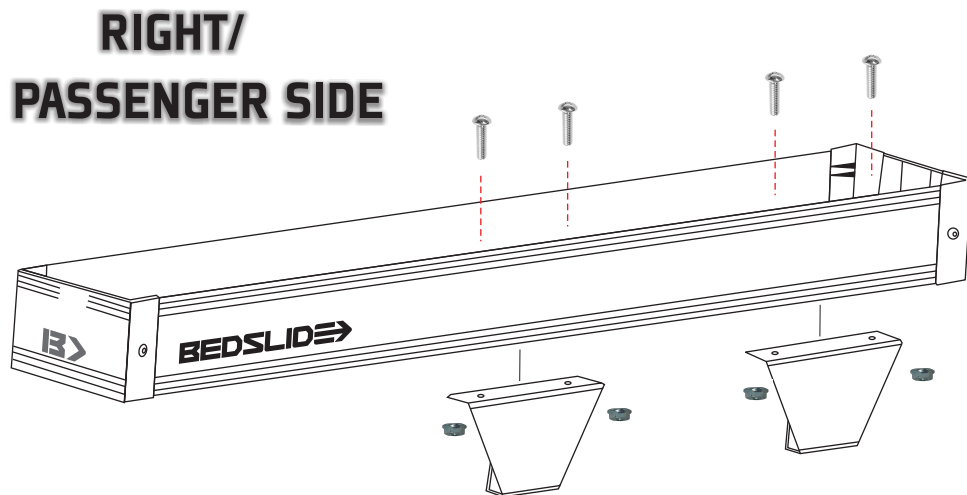
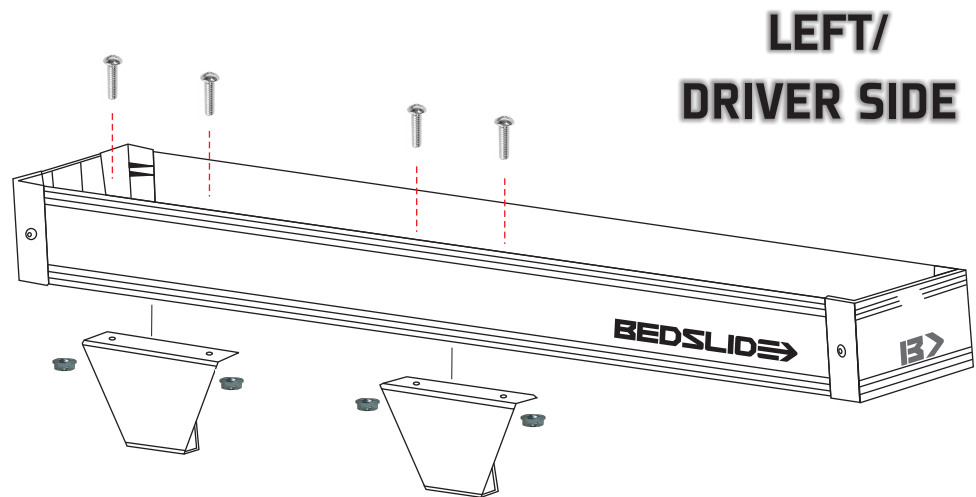
STEP 1.

ATTACH TOWERS TO SIDE KIX

NOTE: The **SIDE KIX** are directional so make certain the "BEDSLIDE" logo is facing forward and out!

Align pre-drilled holes inside the bins with the mounting holes on each TOWER. Flat side of the TOWERS must face out. Secure the TOWERS to each SIDE KIX using the supplied 1/4-20 x 1 1/4 Phillips combo head bolts and 1/4-20 serrated flange nuts as illustrated below.

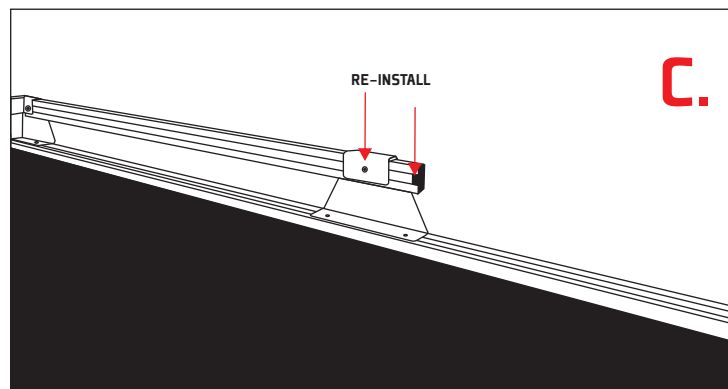
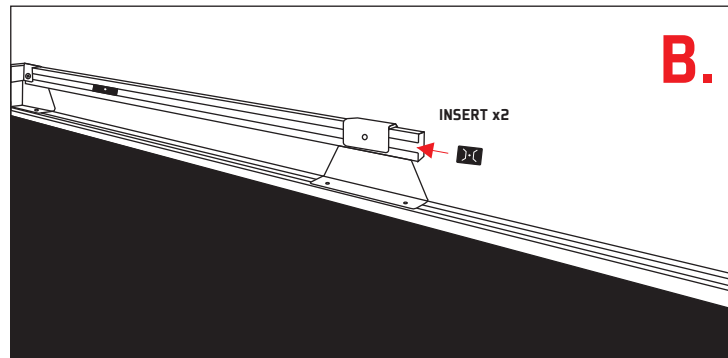
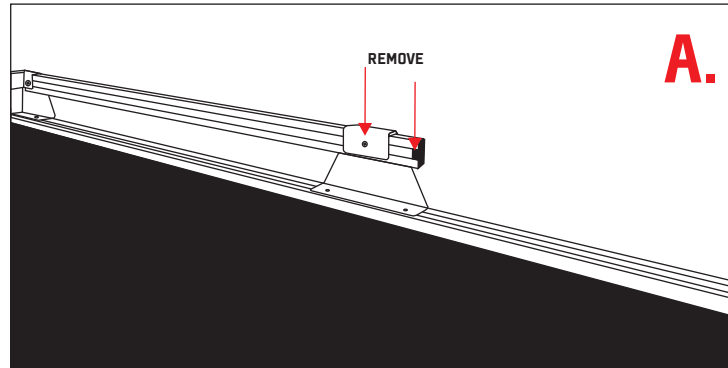
DO NOT OVER TIGHTEN THE HARDWARE!



STEP 2.

INSERT (2) MOUNT BLOCKS INTO EACH GUARDRAIL

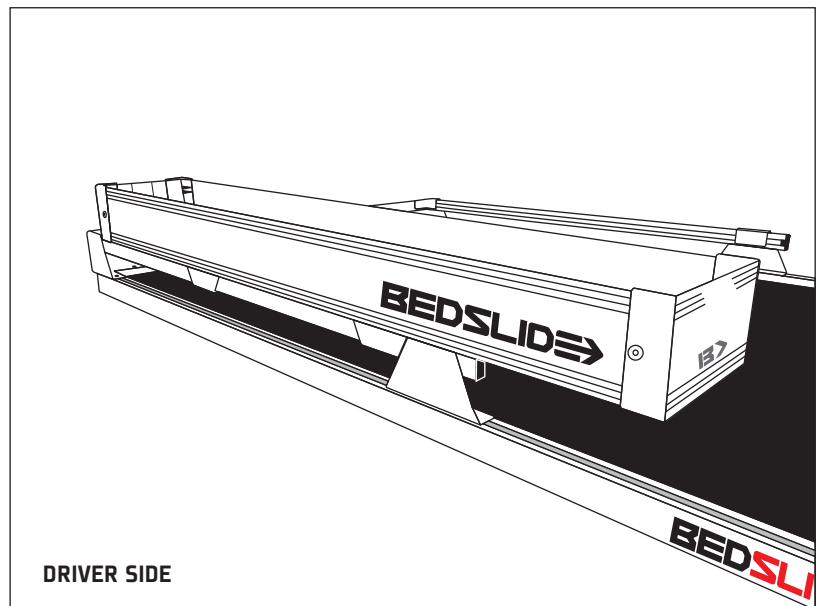
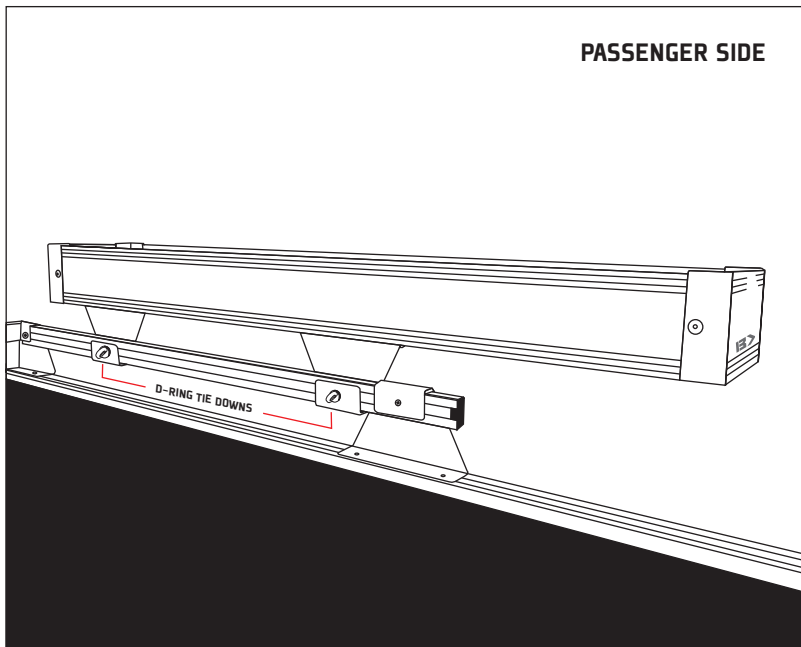
A. Loosen and remove the 1/4-20 x 5/8 set screw securing the plastic end cap on the ends of each GUARDRAIL. Then loosen and remove the 1/4-20 x 3/4 button head securing the GUARDRAIL to each of the SIDE TOWERS mounted on the BEDSLIDE. **B.** Insert (2) MOUNT BLOCKS into the open end of each GUARDRAIL. **C.** Re-attach GUARDRAIL to the SIDE TOWERS along with the plastic end caps to each side.



STEP 3.

ATTACH SIDE KIX TO TOWERS

To attach the SIDE KIX, tuck them under the GUARDRAILS on the BEDSLIDE and secure them with a D-ring tie down. Turn the D-rings clockwise into the (2) MOUNT BLOCKS in the rail to tighten them into place. Repeat to the opposite side.



STEP 4.

ATTACH SUPPORT BAR

PLEASE NOTE: If installing the SIDE KIX to a BEDSLIDE that is narrower than 48" in width it will require the support bar be cut to the appropriate length. Refer to the cut chart on page 5 then follow the steps below.

Insert (2) MOUNT BLOCKS into the rail and position the 58" support bar to the back (cab end) of the SIDE KIX. Insert (2) 1/4-20 x 3/4 button head bolts into the pre-drilled holes located inside the bins and into the MOUNT BLOCKS in the rail. Tighten all (4) 1/4-20 x 3/4 bolts to secure the support bar.

Installation is complete!

