



**BEDSLIDE**  <sup>®</sup>

**NO DRILL FACTORY MOUNT KIT**

**BSA-GM65**

**2016 GM-CURRENT**

**5.5' & 5.8' SHORT BEDS**

**Supplied Hardware:** (1) Cab end mount bracket,  
(2) Side mounting brackets

**Tools Needed:** 1/2" socket, 11/16" open end wrench

**BEDSLIDE**  
GET TO IT.

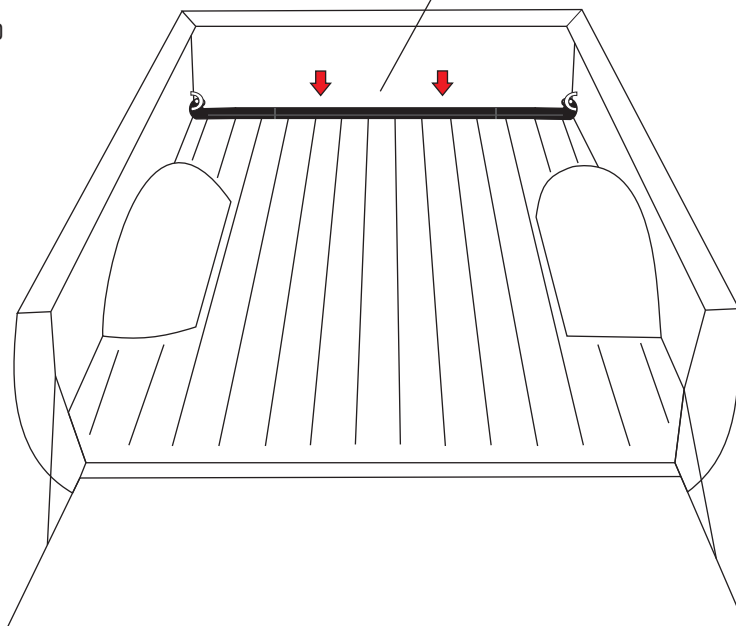
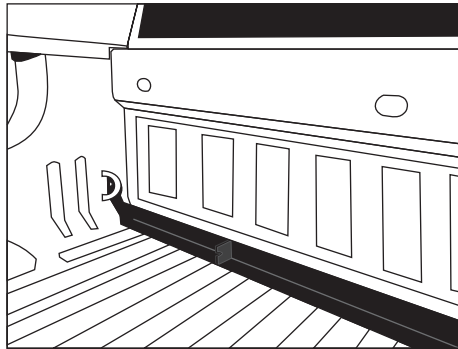
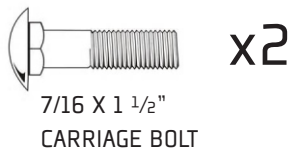


**INSTALLATION  
INSTRUCTIONS**

## STEP 1.

### INSTALL FRONT MOUNTING BRACKET

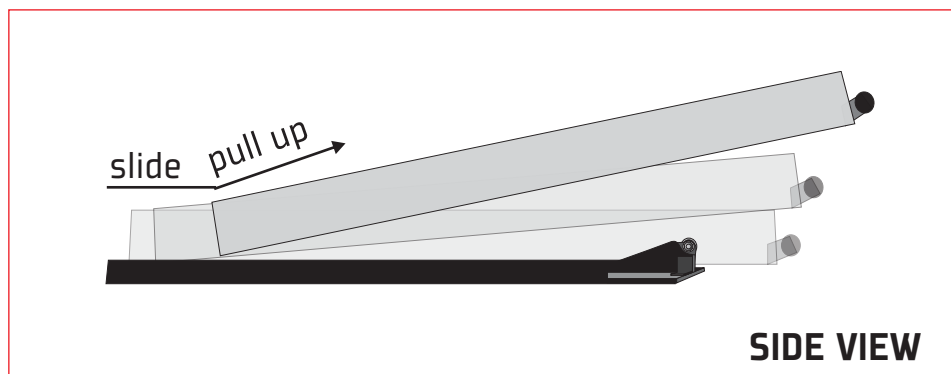
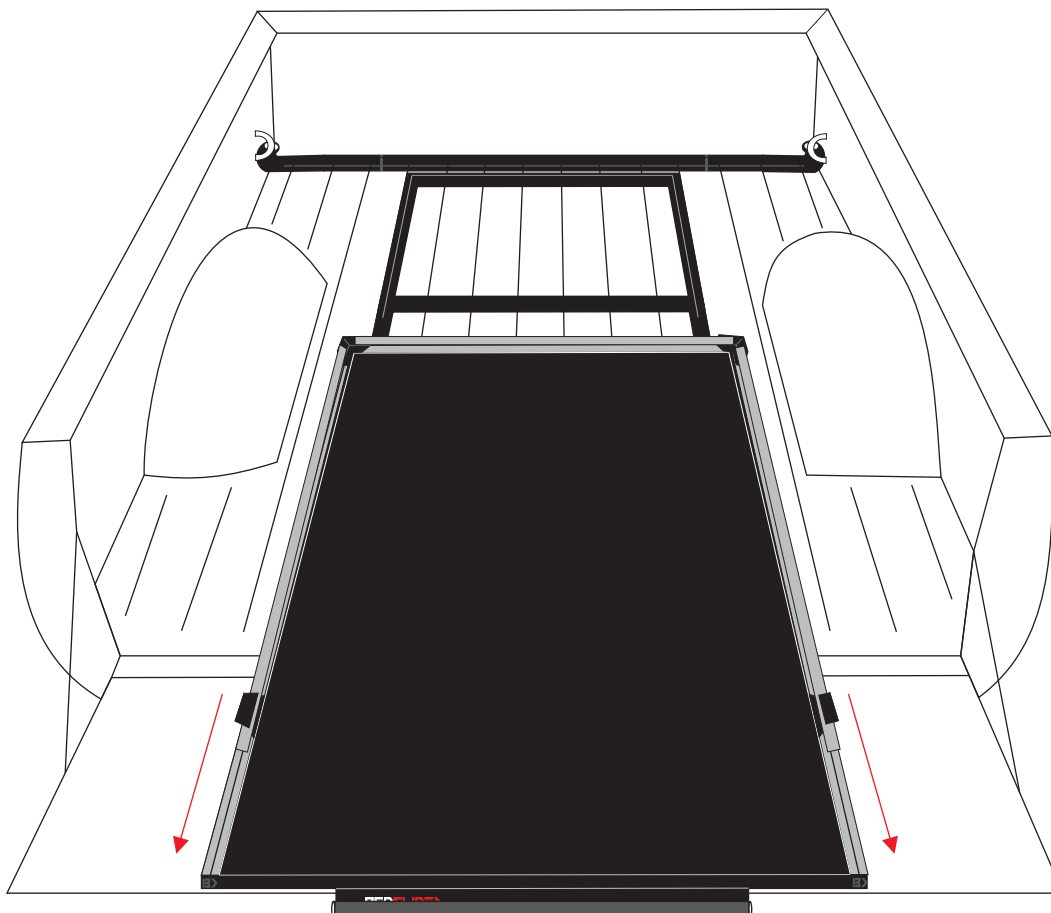
Slide FRONT mounting bracket behind the factory tie down hooks located at the cab end and rest on the bed floor. Bolt the bracket to the tie down hooks using (2) supplied 7/16 x 1 1/2" CARRIAGE BOLTS and (2) D-STYLE WASHERS. Insert a carriage bolt through a D-style washer and run the assembly through the front of the factory tie down hook and into the mounting bracket. Secure with a serrated flange nut, tighten with an 11/16 wrench and repeat to the opposite side.



## STEP 2.

### SEPARATE SLIDING TOP FRAME FROM THE BASE

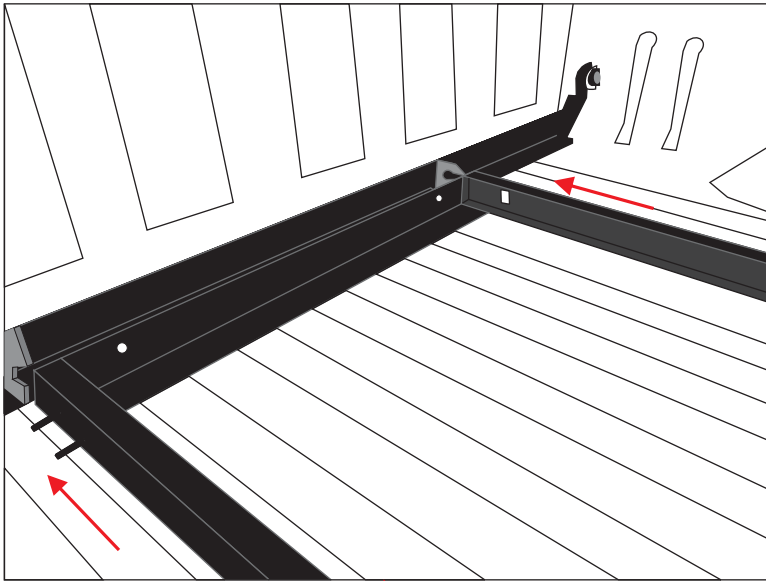
With the complete BEDSLIDE® resting inside the bed, fully extend the unit and remove the top frame by lifting up and out. There are welded safety stops must go up and over the rear roller bearings and spacer blocks in order for the top frame to release.



### STEP 3.

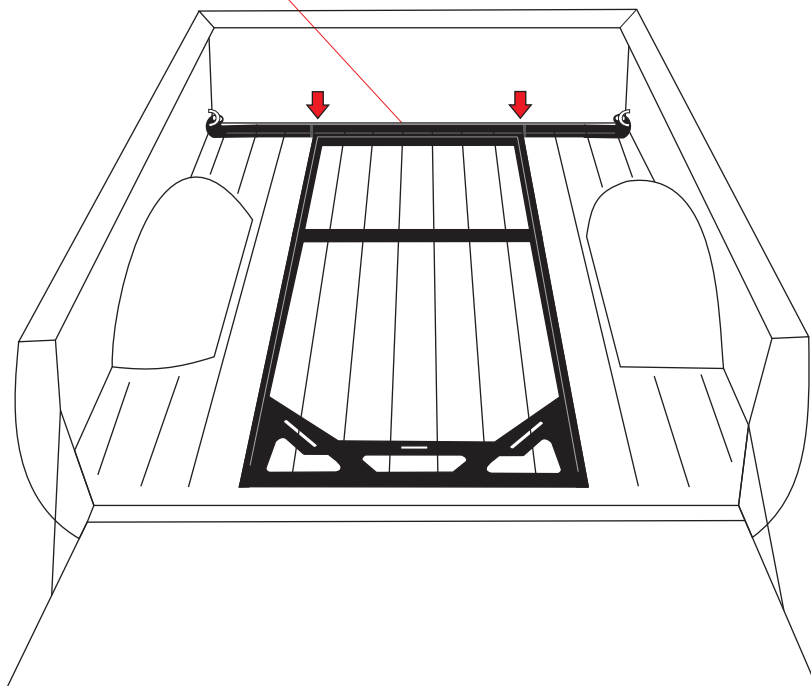
#### SECURE BASE FRAME TO FRONT MOUNTING BRACKET

Slide base frame forward so the mounting studs attached to each side of the frame rest inside the C brackets located inside the mounting bracket. Secure the base frame to the mounting bracket with [4] of the supplied 5/16-18 serrated flange nuts at each of the 4 studs.



x4

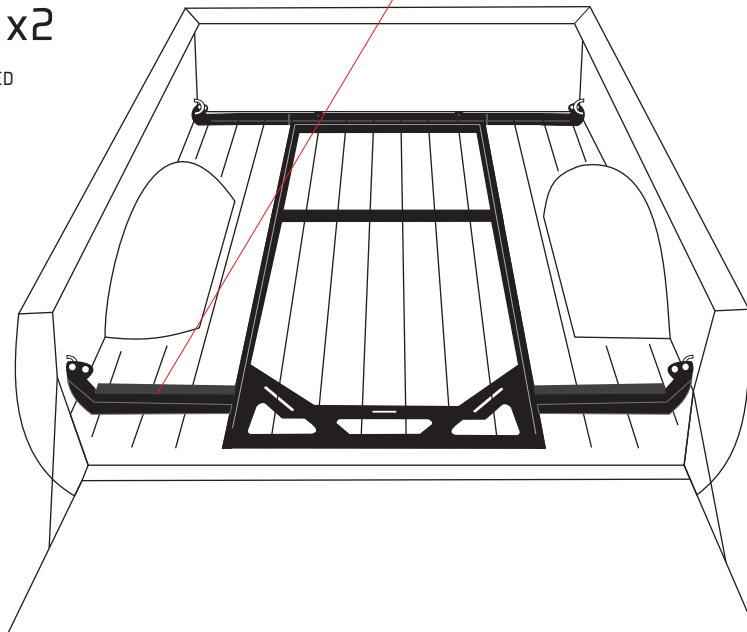
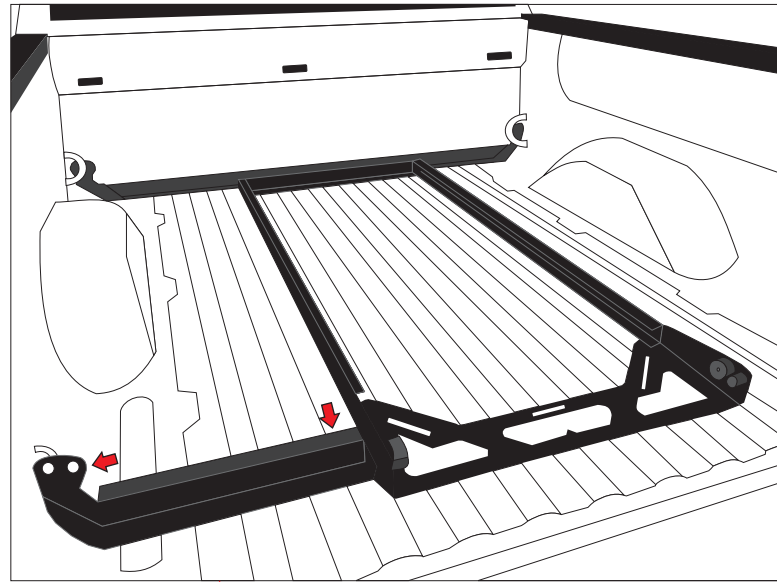
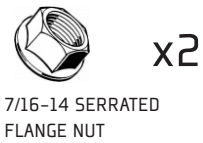
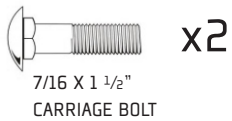
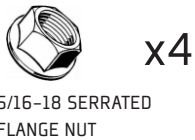
5/16-18 SERRATED  
FLANGE NUT



## STEP 4.

### SECURE BASE FRAME AT TAILGATE END (LEFT & RIGHT SIDE)

Take the left (Driver) mounting bracket and align the 2 holes on the bracket with the 2 holes on the side of the base frame. Run a supplied 5/16-18 x 1" carriage bolt through each hole from inside the frame and secure with (2) 5/16-18 serrated flange nuts to the outside. Next, insert a supplied 7/16 x 1 1/2" carriage bolt through a D-style washer and run the assembly through the back (cab side) of the factory tie down hook and into the mounting bracket. Secure left mounting bracket with a 7/16-14 serrated flange nut. Repeat this same process to the passengers side.

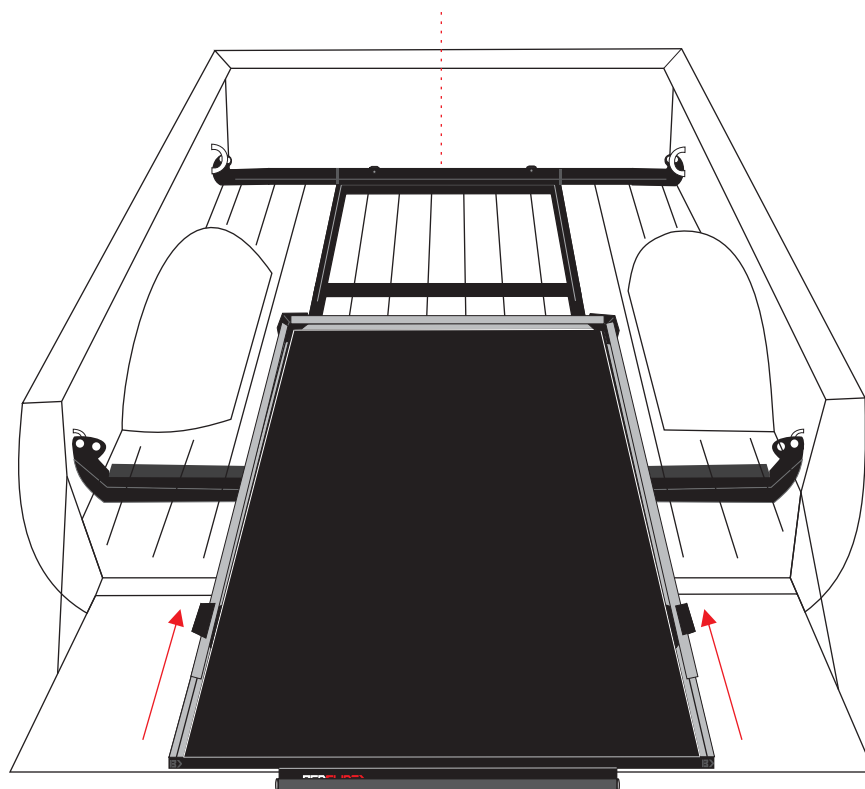
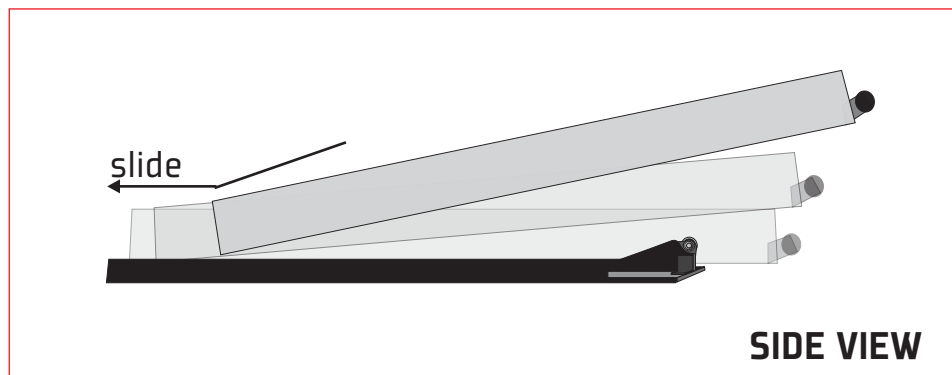


## STEP 5.

### RE-INSTALL SLIDING TOP FRAME

Re-install the BEDSLIDE® top frame into the base by placing top frame over the rear bearings and sliding the frame forward to the stowed position.

That's it! Your BEDSLIDE® install is complete!



# BEDSLIDE®

## MOUNTING BRACKETS

### GM 5.5' BED

ITEM NO.	PART NUMBER	DESCRIPTION
1	FP00029	WELDMENT, MTG GM CAB END 5.5'
2	FP00032	BRKT, MTG GM OPEND_R
3	FP00033	BRKT, MTG GM OPEND_L
4	HGMKIT	KIT, GM HARDWARE

**TECHNICAL SUPPORT 888.807.0099**

