



**BEDSLIDE**  <sup>®</sup>

**MAX EXTENSION  
ASSEMBLY AND INSTALLATION**

[BEDSLIDE.COM](http://BEDSLIDE.COM) | 888.807.0099 | [SUPPORT@BEDSLIDE.COM](mailto:SUPPORT@BEDSLIDE.COM)

**Supplied Hardware:**

- (4) 5/16 riv nuts
- (1) riv nut tool
- (4) 5/16 x 2" hex head bolts
- (4) 5/16 split lock washers
- (4) 3/8 flat washers

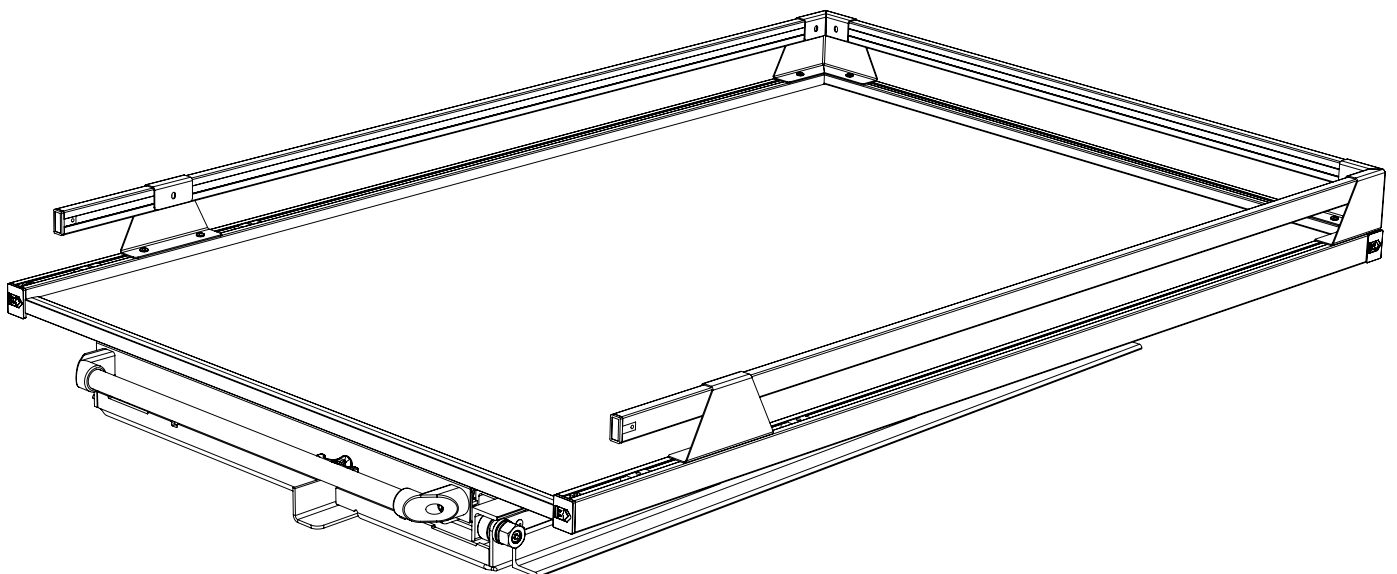
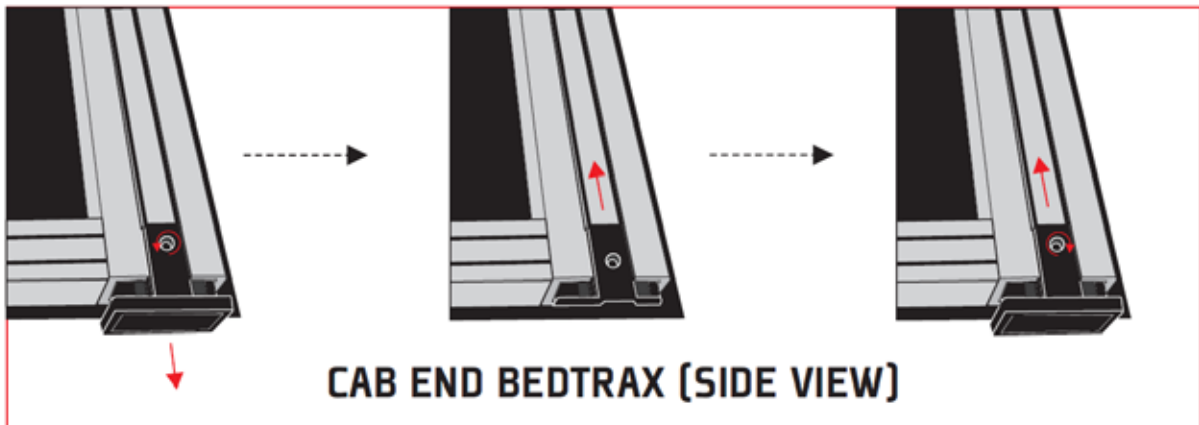
**Tools Needed:**

- Drill
- 1/2" drill bit
- Sharpie
- Tape measure
- 1/2" socket, ratchet
- 1/2" open end wrench
- 5/32" and 1/8" allen wrenches



## Step 1 INSERT (2) MOUNT BLOCKS INTO BEDTRAX (CAB END)

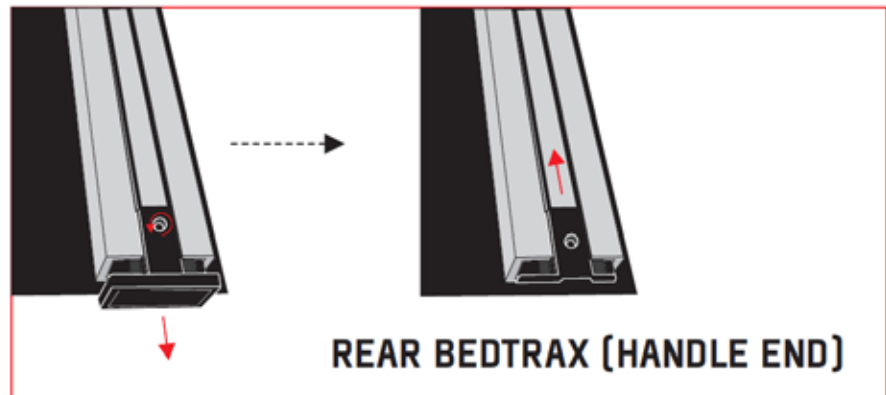
Loosen set screw on one of the plastic end caps of the front (cab end) BEDTRAX. Remove end cap and insert (2) MOUNT BLOCKS. Re-install end cap and tighten the set screw. **These MOUNT BLOCKS will be used to secure the corner towers in the next step.**





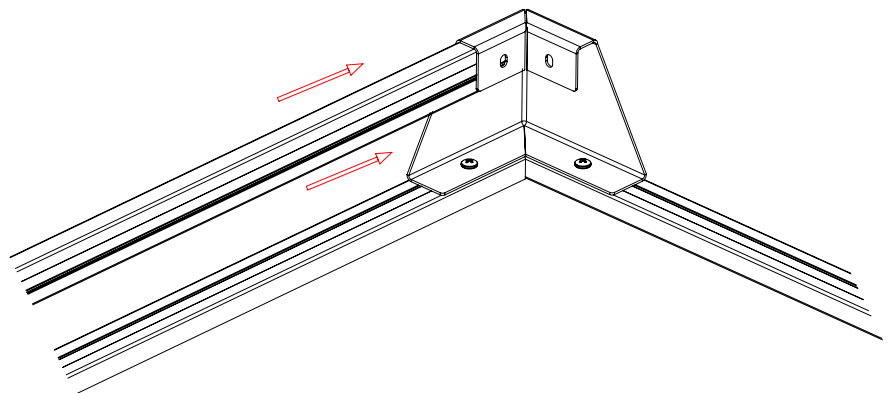
## Step 2 MOUNT CORNER TOWER

\*CORNER TOWERS are positioned upside down and rest on the BEDTRAX for shipping purposes. Loosen set screw on both of the plastic end caps located at the rear (tailgate end) of the BEDTRAX. Remove end caps and insert (4) MOUNT BLOCKS down each side of the BEDTRAX. \*Insert (6) MOUNT BLOCKS per side if your BEDSLIDE is equipped with GUARDRAILS. Set end caps aside. Next invert CORNER TOWER, slide MOUNT BLOCKS underneath the CORNER TOWER so they line up with the mount holes. Secure using the supplied 1/4-20 x 3/4" allen head bolts into the MOUNT BLOCKS.



## STEP 3 MOUNT HEAD RAIL TO CORNER TOWER

Slide one end of the HEAD RAIL with slot facing forward into the mounted corner tower. Remove the pre-installed allen head bolt from the MOUNT BLOCK and slide MOUNT BLOCK so that the threaded hole is center with the mounting hole on the CORNER TOWER. Fasten together with the allen head bolt.



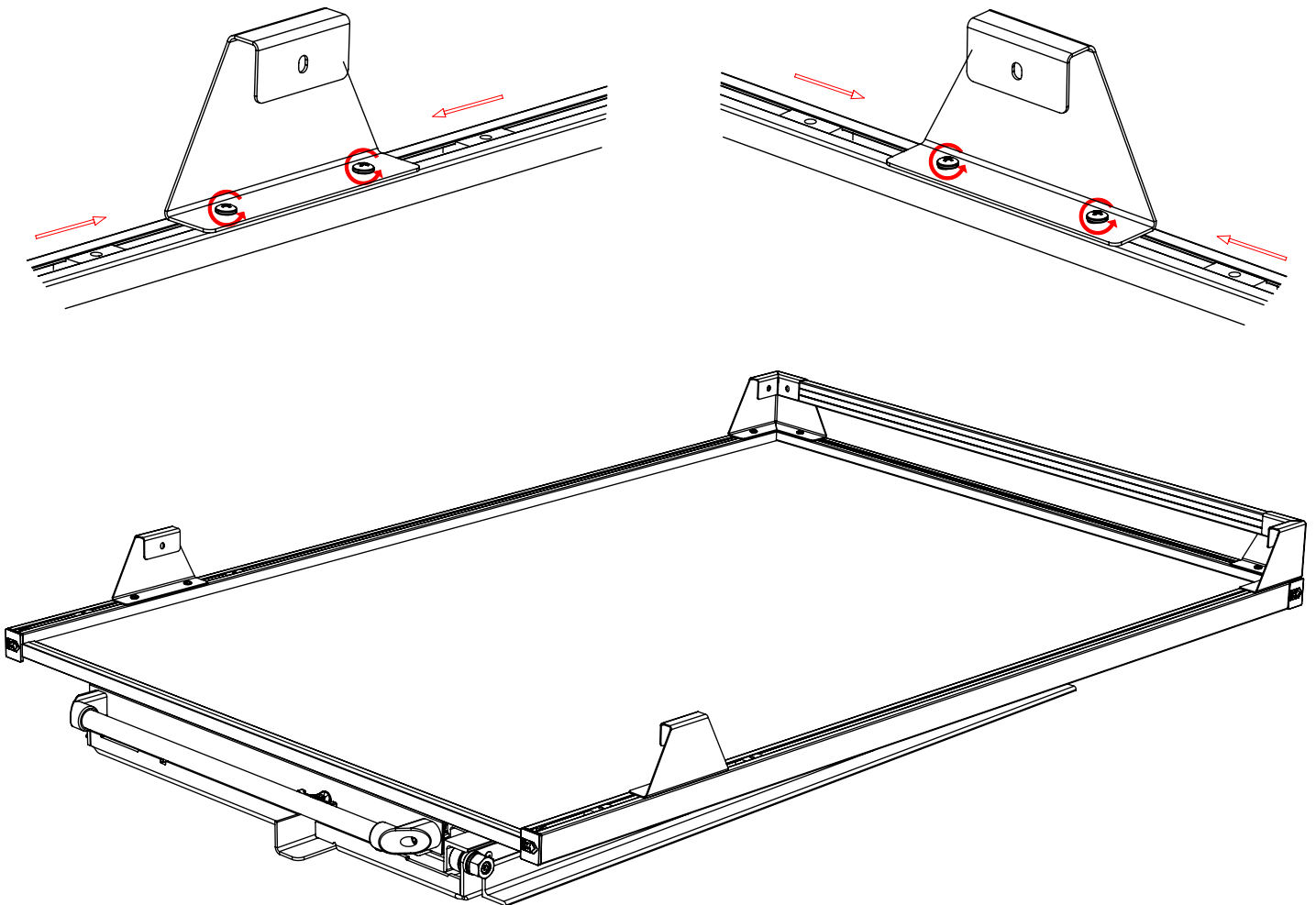


## Step 4 MOUNT SIDE TOWERS and (2) D-RING TIE DOWNS

\*SIDE TOWERS are positioned upside down and rest on the unit for shipping purposes.

Invert the SIDE TOWERS with the mount holes facing inward, slide (2) MOUNT BLOCKS underneath each tower and secure them to the BEDTRAX with the supplied 1/4-20 x 3/4" allen head bolts. **DO NOT TIGHTEN!**

**\* PLEASE NOTE: BEDSLIDE® recommends a D-ring tie down be mounted in front of and behind each of the SIDE TOWERS. Pre-install them before fastening the SIDE TOWERS.**

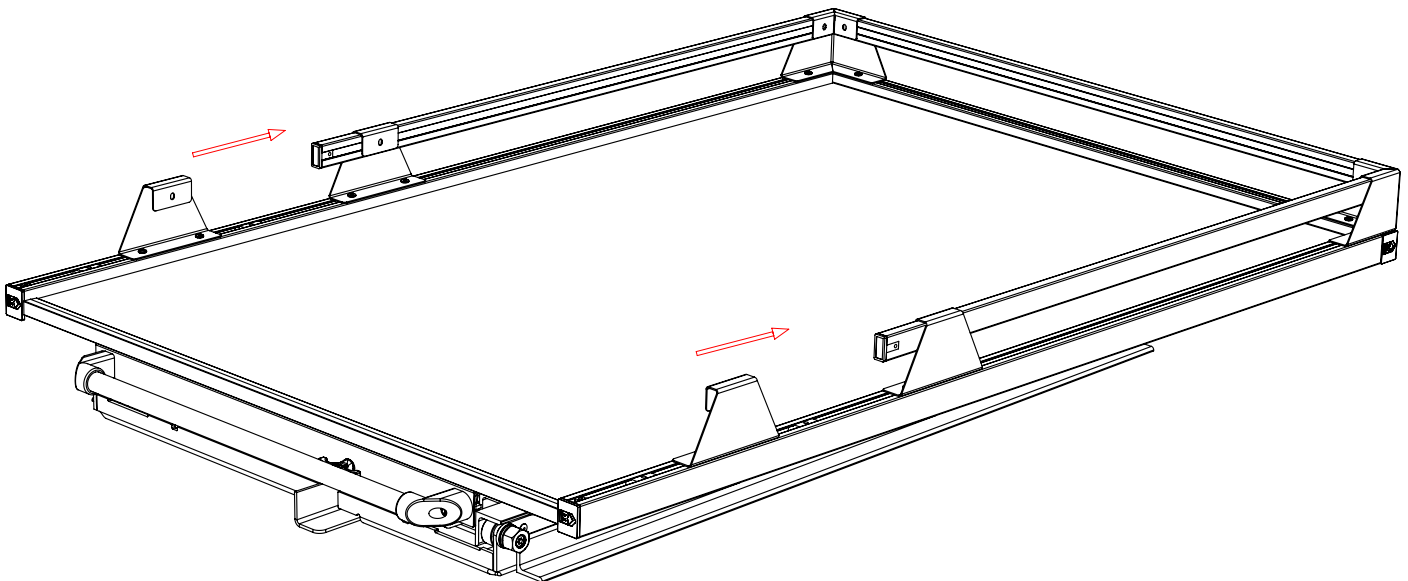
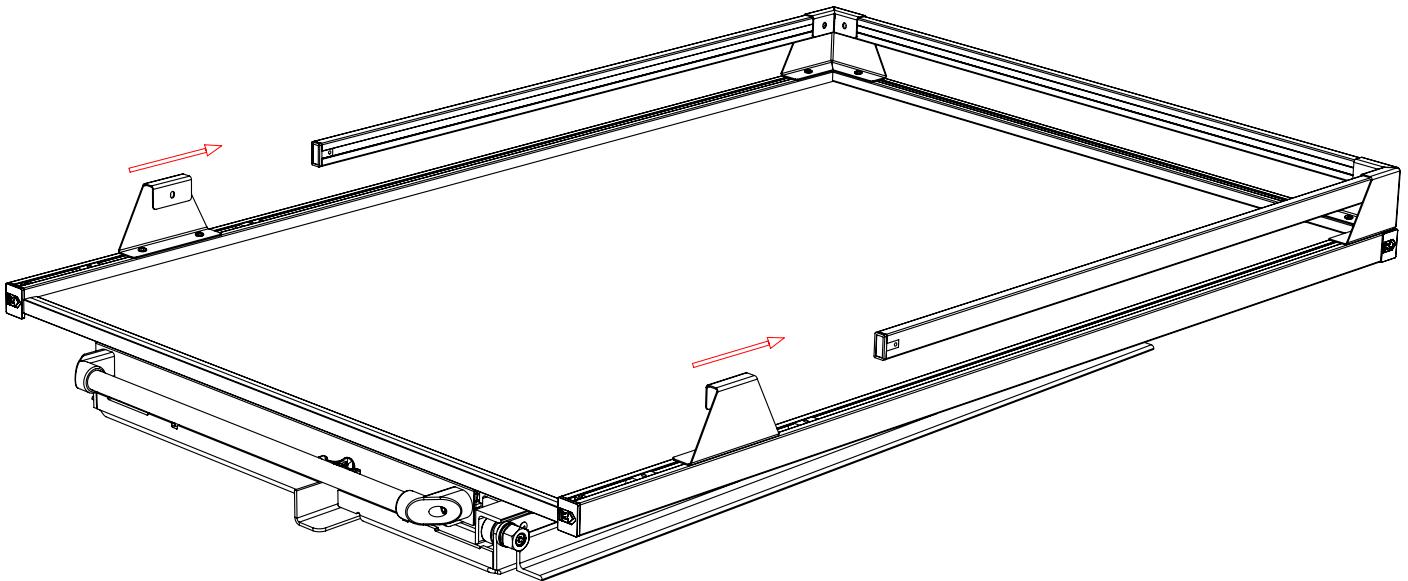


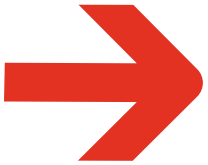


## Step 5 INSTALL GUARD RAILS

Insert (2) MOUNT BLOCKS into an open end of each of the GUARD RAILS making sure they do not slide off. Then insert each GUARD RAIL into the open end of the CORNER TOWERS, slide a MOUNT BLOCK to each corner and secure with a supplied 1/4-20 x 3/4" allen head bolt. Next insert SIDE TOWERS into the closed end of the GUARD RAILS, slide a MOUNT BLOCK to the end and fasten with an allen head bolt.

**\*PLEASE NOTE: 6" OF THE GUARD RAIL SHOULD BE STICKING OUT PAST THE SIDE TOWER FOR A CLEAN LOOK.**

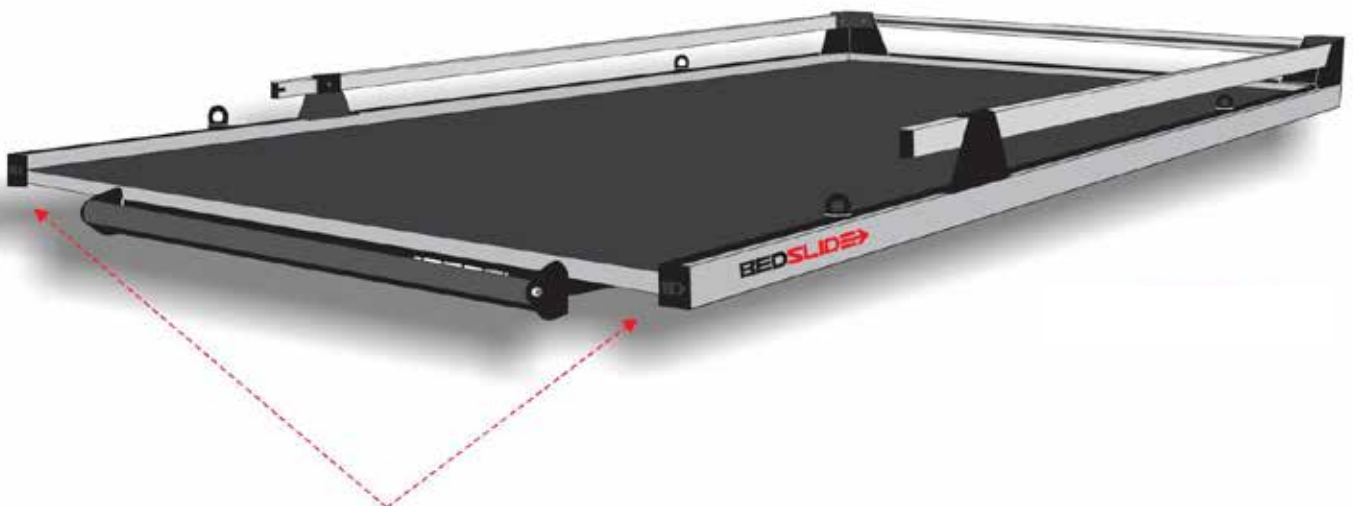




## Step 6 INSTALL D-RING TIE DOWNS

Locate the (4) D-ring tie downs inside the install kit. Thread into the MOUNT BLOCKS you previously inserted into the BEDTRAX, position at desired location and tighten down. Lastly re-install the (2) plastic end caps and tighten the set screw.

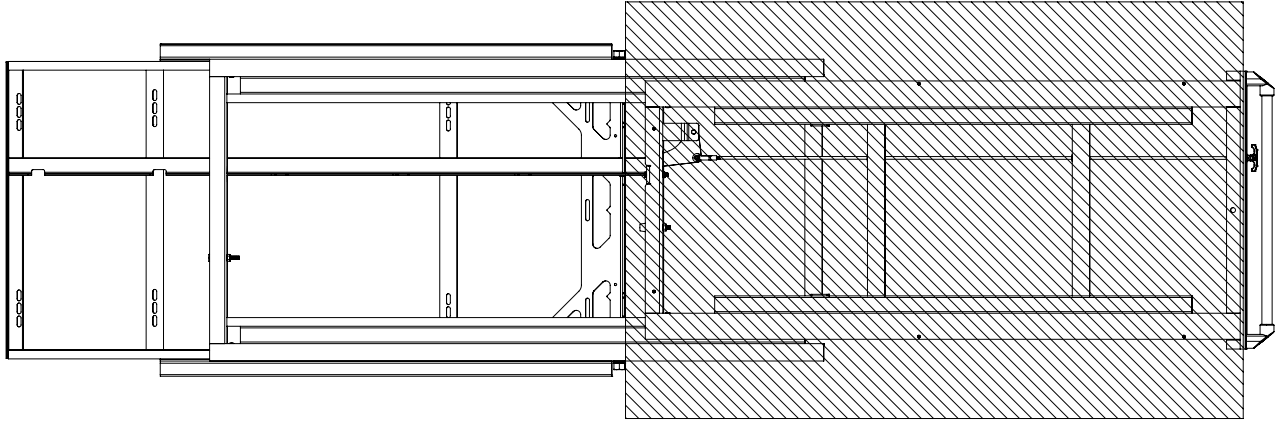
**THAT'S IT! Your BEDSIDE® IS FULLY ASSEMBLED!**





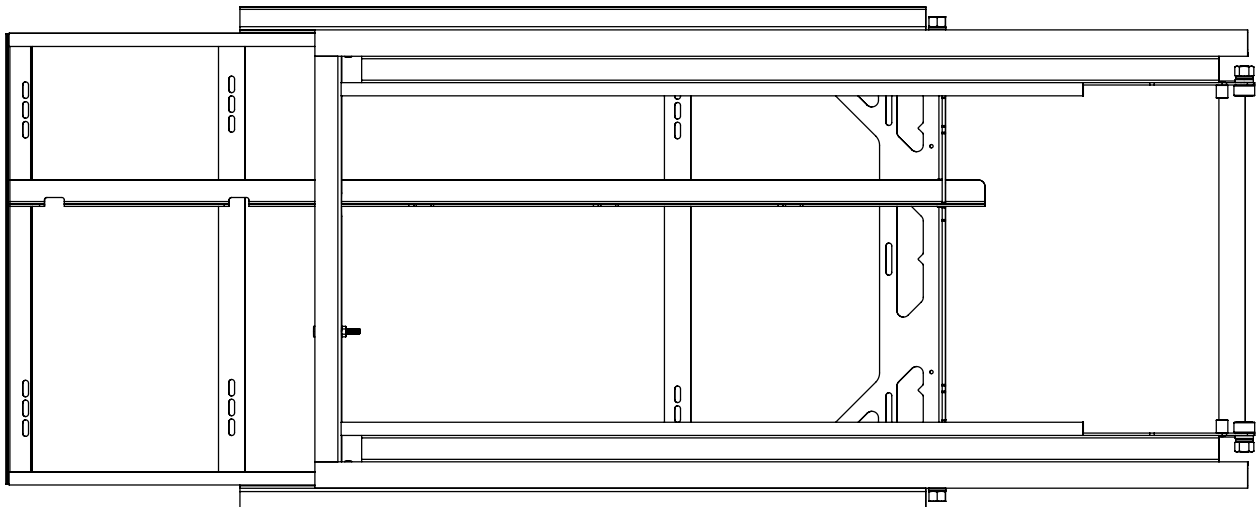
## **STEP 7** **REMOVE INNER FRAME ALONG WITH** **BOLTED DOWN DECK**

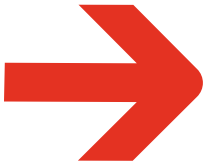
Fully extend BEDSLIDE® tray until it comes to a stop. Lift up and remove like you would a kitchen drawer. Set inner frame and deck inside.



## **STEP 8** **REMOVE MID FRAME FROM THE BASE**

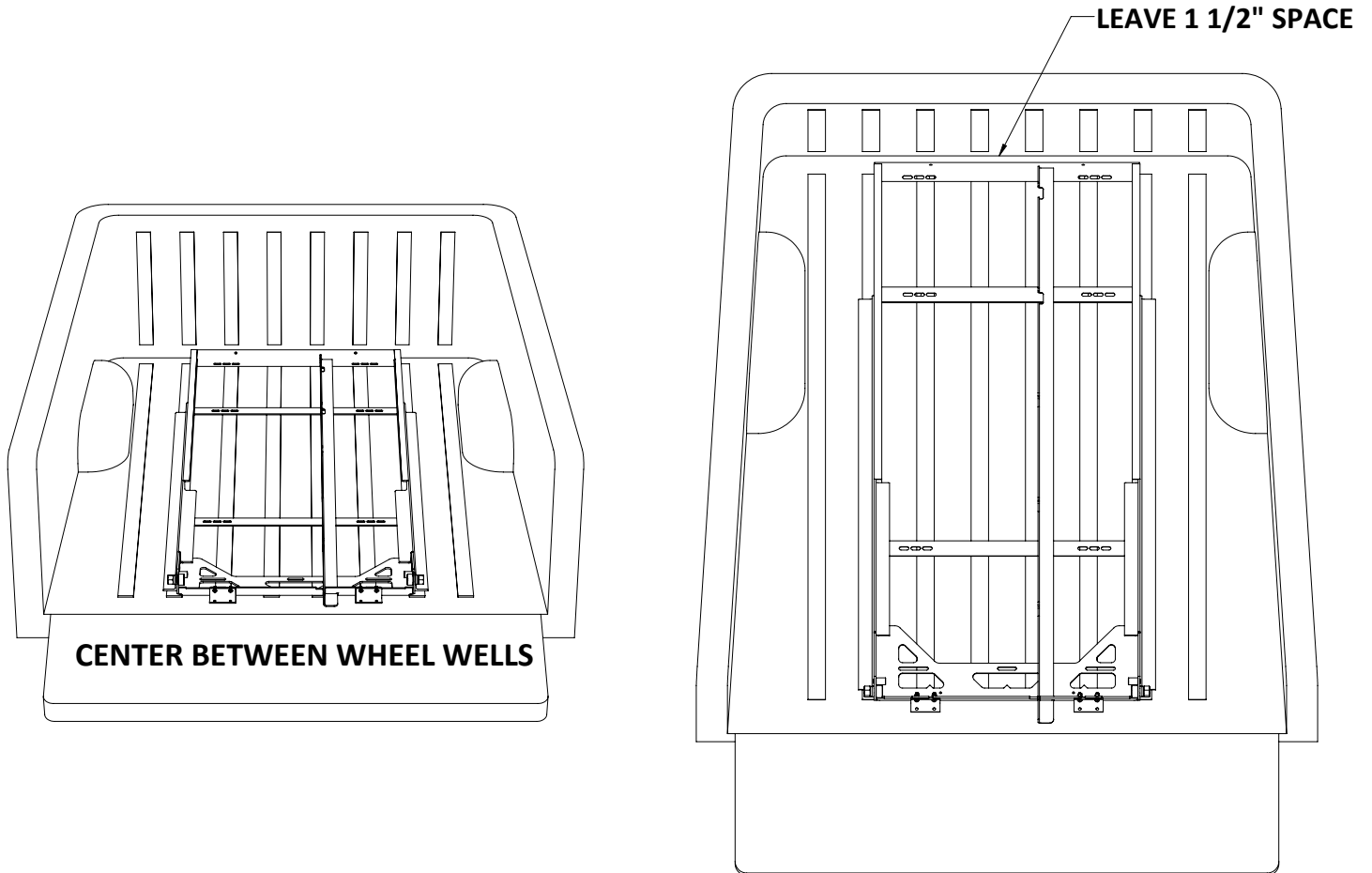
Fully extend mid frame until it comes to a stop then lift up and remove like you would a kitchen drawer. Set mid frame aside.





## **STEP 9** **CENTER BASE FRAME IN TRUCK BED WITHOUT RIBS**

Place base frame in truck bed. Center frame between the wheel wells and leave 1-1/2" clearance space between bulkhead and BEDSLIDE® frame. Once centered, mark mounting holes for drilling. Use pre-punched holes on cab end cross member and holes on the center cross member.



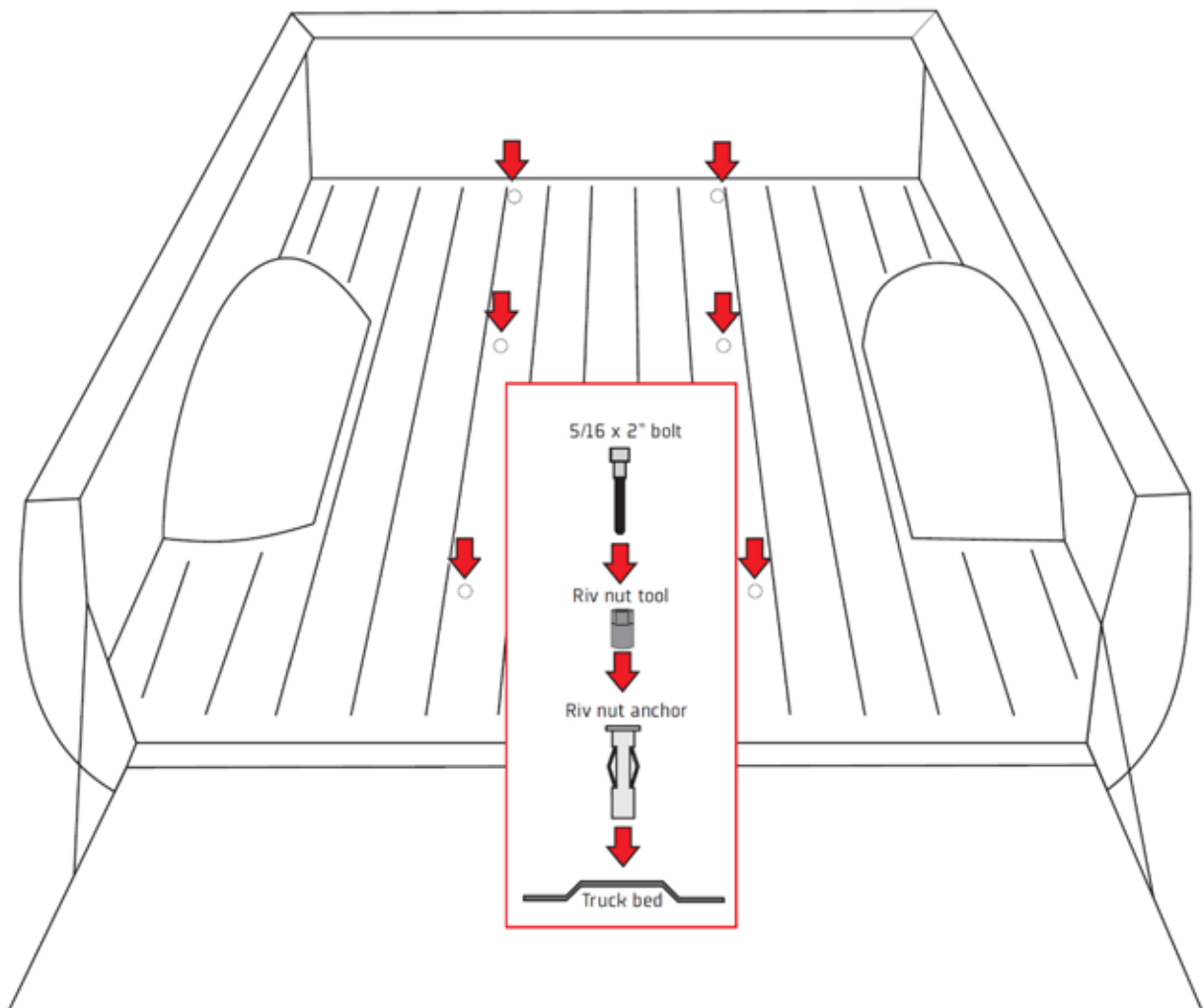


## STEP 10 INSTALL (6) RIV NUTS

Move BEDSLIDE® to access the (6 marked holes for the center cross member and drill through the bed using the 1/2" drill bit. Next, insert a 5/16 bolt through the riv nut tool and into a riv nut. Insert the assembly into a mounting hole. Tighten the bolt while holding the riv nut tool with a 1/2" wrench making sure the assembly sits flush with the bed. As you tighten the bolt the riv nut will compress from underneath and secure to the bed. Repeat to the remaining hole.

\* For 8' bed, use X8 Rivnuts.

**Do not over tighten! Do not use air impact tools!**

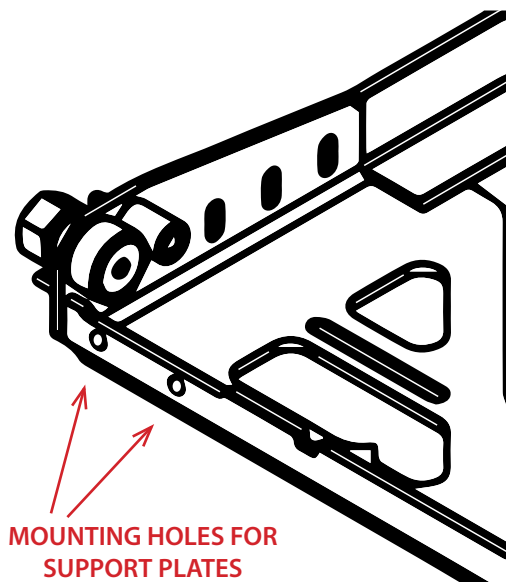
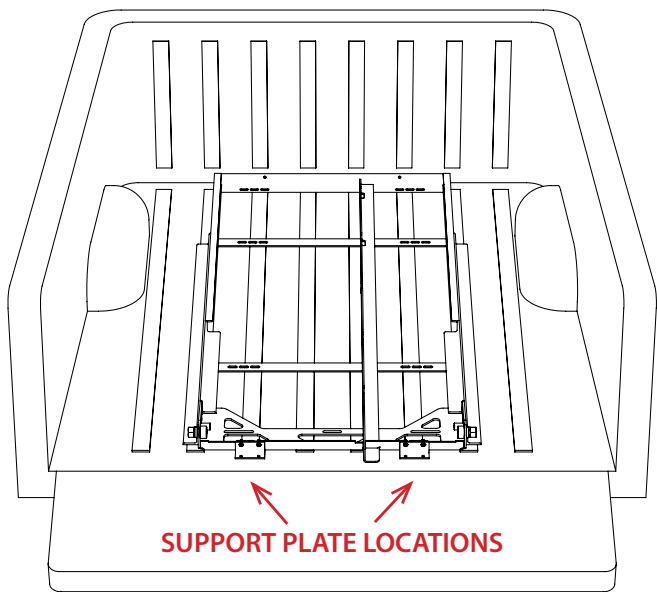




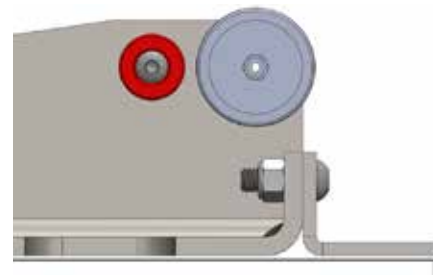
## STEP 11 INSTALL BASE SUPPORT PLATES

The base frame requires (2) support plates to be attached at the tailgate end. Each support plate mounts to a set of holes on the base frame as shown in the diagram below. The support plates are longer on one end. Refer to the diagrams below to determine which orientation is required for your vehicle application. With the support plates properly oriented attach each plate to the base frame with the included socket head cap screws and lock nuts. While securing the base support plates to the base frame make sure that the bottom edge of each plate is flush with the surface of the truck bed.

**NOTE:** The support plates are only attached to the base frame. They are NOT attached to the bed of the truck with hardware.



SUPPORT PLATE- FORD MODELS  
(OFFSET FROM BASE FRAME)

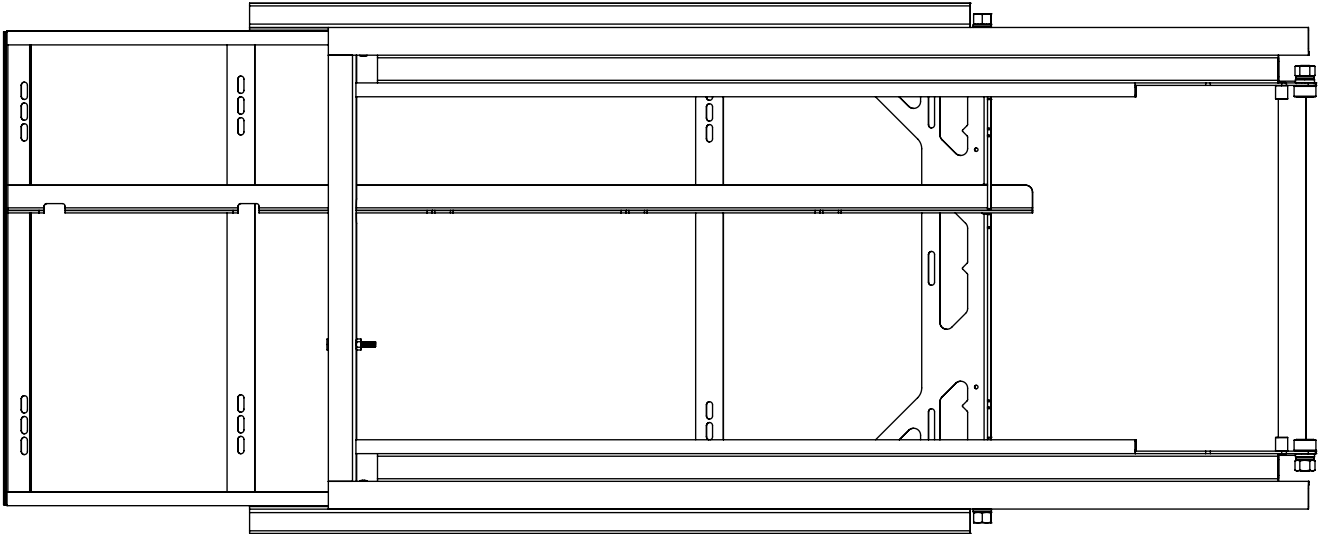


SUPPORT PLATE- ALL OTHER MODELS  
(FLUSH WITH BASE FRAME)



## STEP 12 RE-INSTALL MED FRAME

Position mid frame into base frame and slide forward.

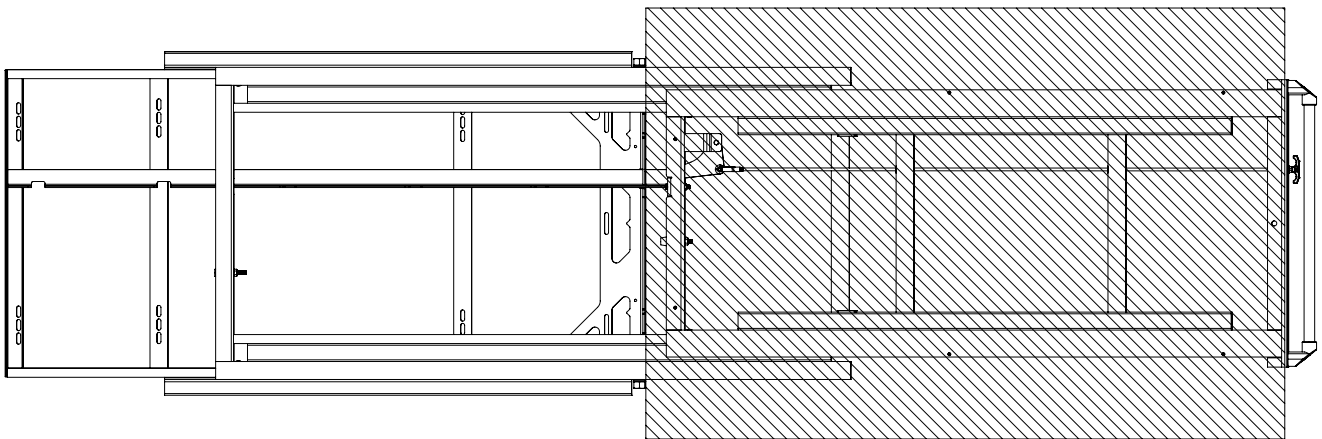


*\* Add silicone lubricant once a year to the inner frame.*



## STEP 13 RE-INSTALL INNER FRAME AND DECK

Position inner frame into mid frame and slide forward to the fully locked position.



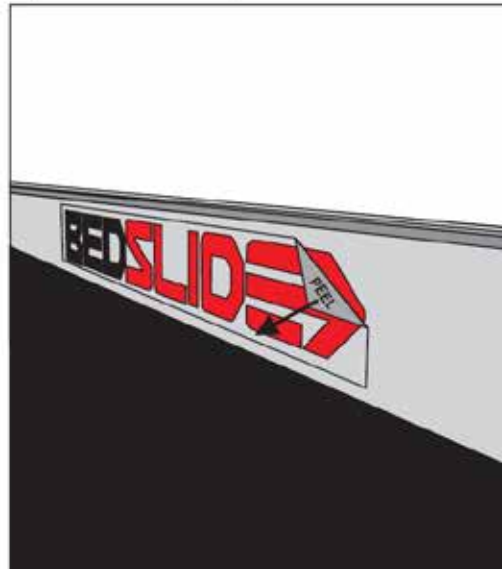
*\* Add silicone lubricant once a year to the inner frame.*



## STEP 14 PROTECTIVE FILM REMOVAL

Pull a corner of the protective film and slowly pull it away from the die cut decals on each side of the tie down rails.

- ⚠ If the film comes up with the letter attached, position back in place and rub with a card such as a bank card or even your hand so the decal adheres to the surface of the tie down rail.











**CALL TOLL-FREE: 888-807-0099**

**SALES/DEALERS: [sales@bedslide.com](mailto:sales@bedslide.com)**

**CUSTOMER SERVICE: [support@bedslide.com](mailto:support@bedslide.com)**

**ORDER INQUIRIES: [order@bedslide.com](mailto:order@bedslide.com)**