

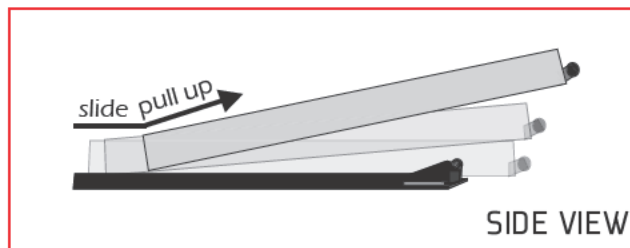
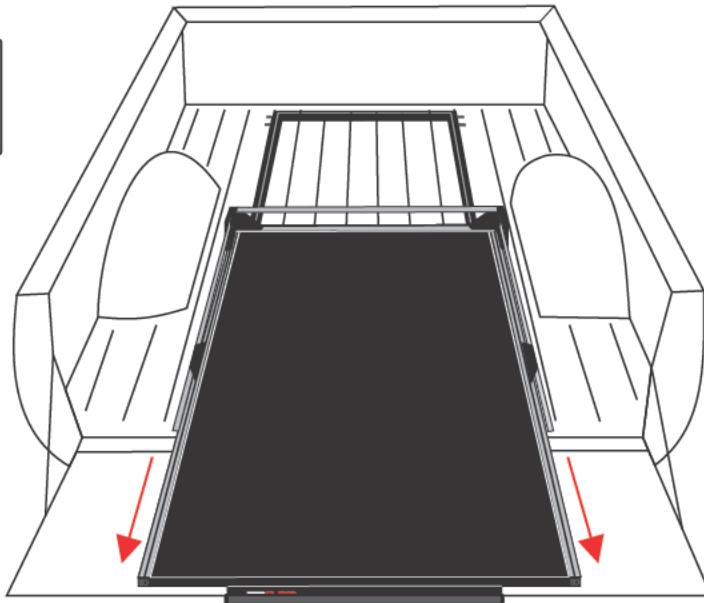


INSTALLATION

INSTALLATION

1 SEPARATE SLIDING TOP FRAME FROM THE BASE

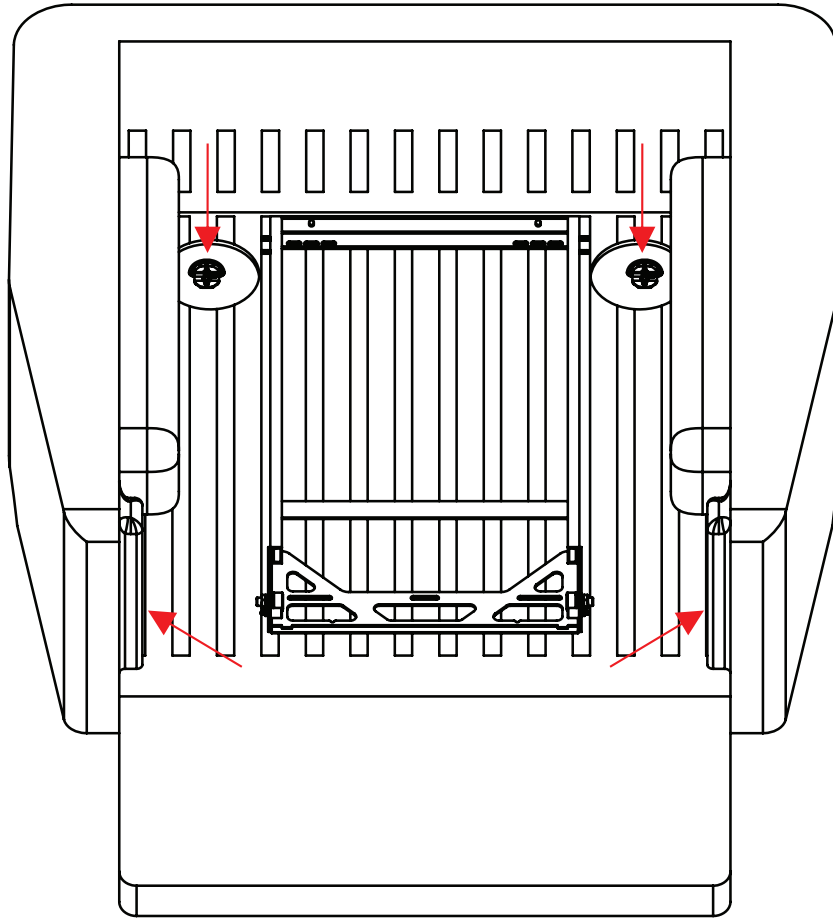
Fully extend the BEDSLIDE® and remove the top frame by lifting up and out. The welded safety stops must go up and over the rear roller bearings and spacer guides in order for the top frame to release. **This step will require 2 people to help lift!**



INSTALLATION

2 REMOVE AND SET ASIDE THE TWO FRONT TIE DOWNS AND THE TWO REAR TIE-DOWNS.

The rear tie-downs will be used later in the installation process. Front tie-downs can be saved to reinstall should the BEDSLIDE be removed.

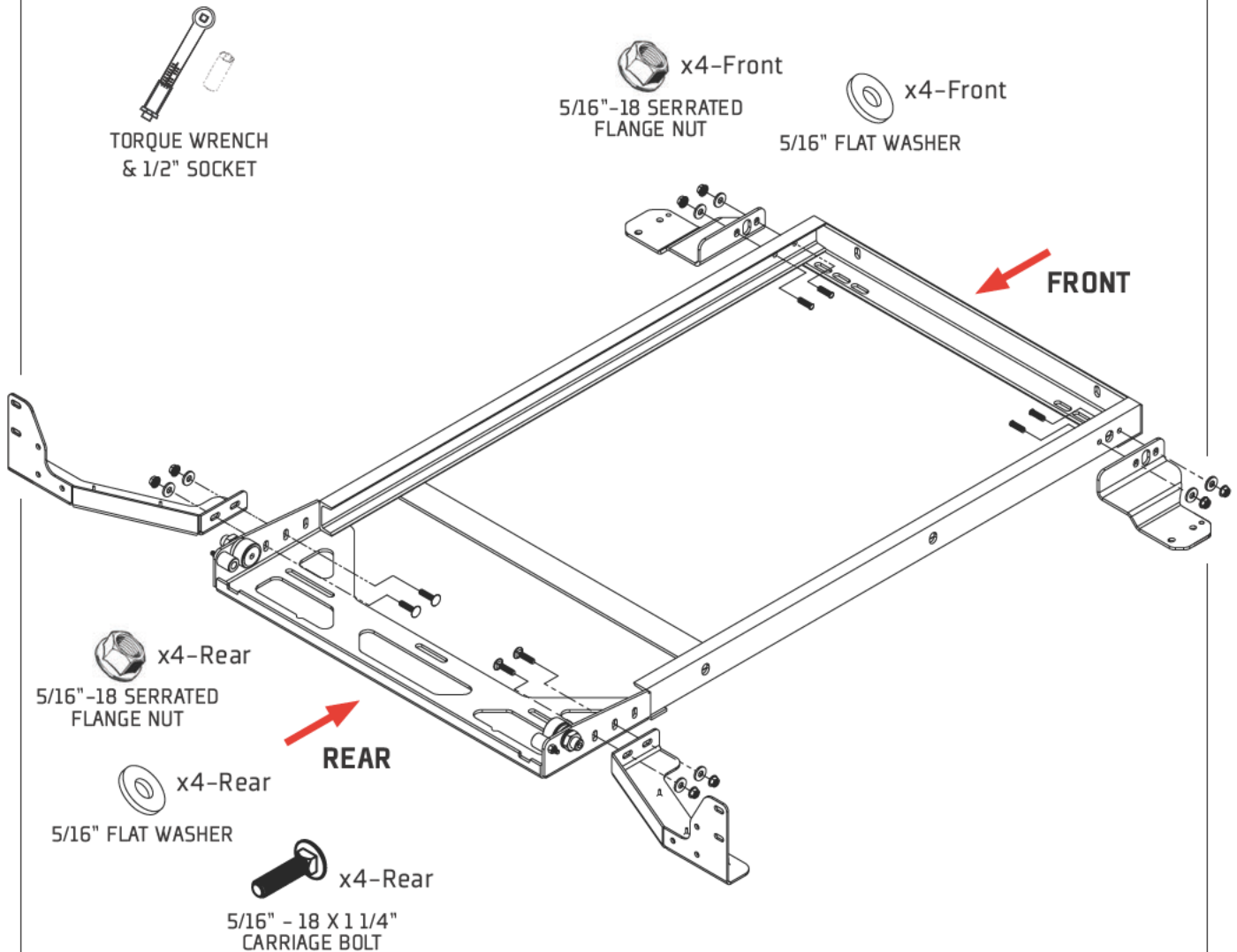


INSTALLATION

3 ATTACH FRONT (CAB END) MOUNTING BRACKETS

Attach LEFT and RIGHT mounting brackets to the threaded studs affixed to each side of the base frame. Secure each bracket with two 5/16" flat washers and two 5/16"-18 serrated flange nuts & tighten with a torque wrench.

 **TIGHTEN TO MANUFACTURE SPECS, 20 FT. LBS.**



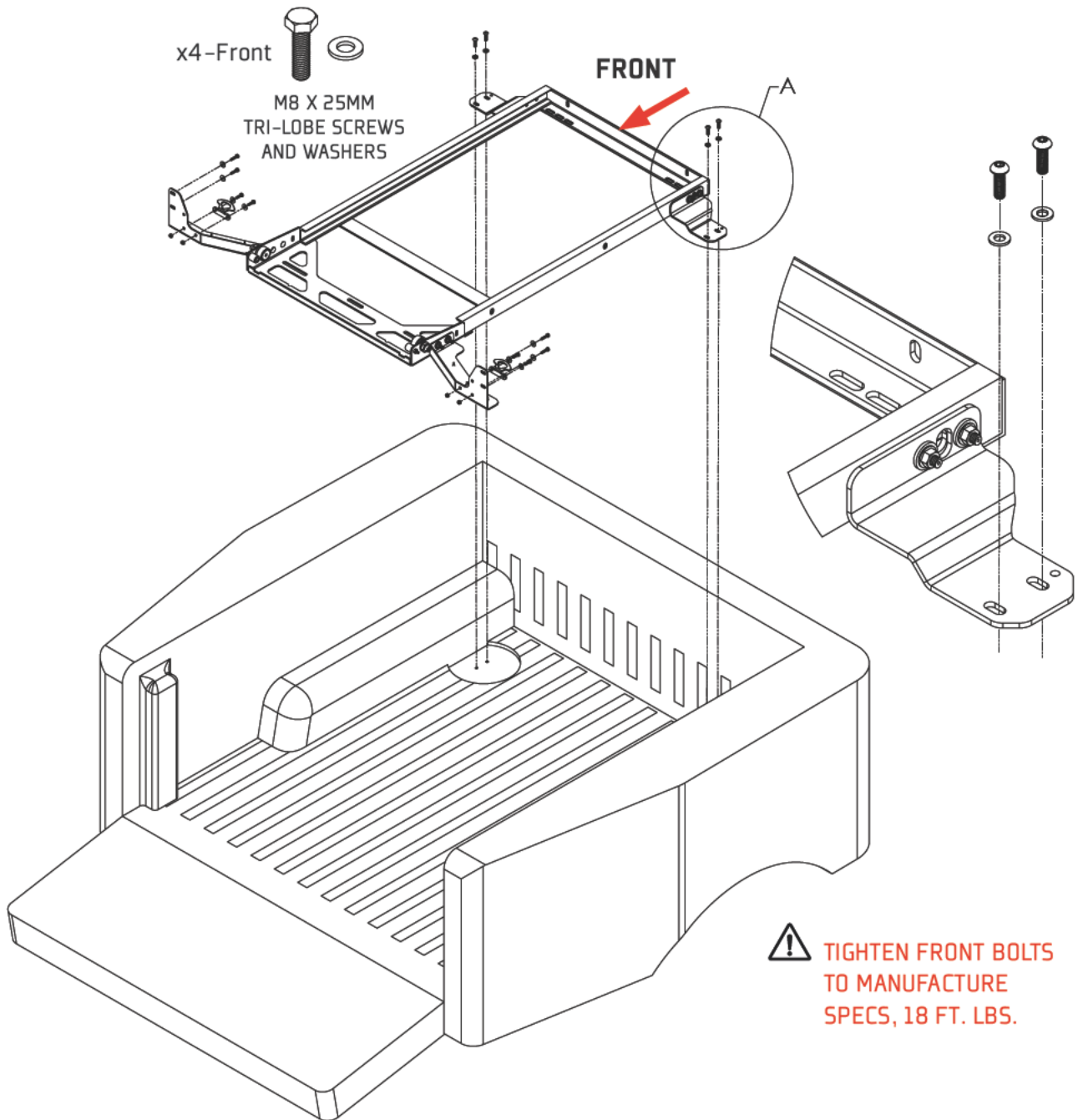
4 ATTACH REAR MOUNTING BRACKETS

Attach LEFT and RIGHT mounting brackets using 5/16"-18 X 1-1/4" carriage bolts to each side of the base frame. Secure each bracket with two 5/16" flat washers and two 5/16"-18 serrated flange nuts & tighten with a torque wrench.

INSTALLATION

5 SECURE FRONT (CAB END) MOUNTING BRACKETS TO THE BED

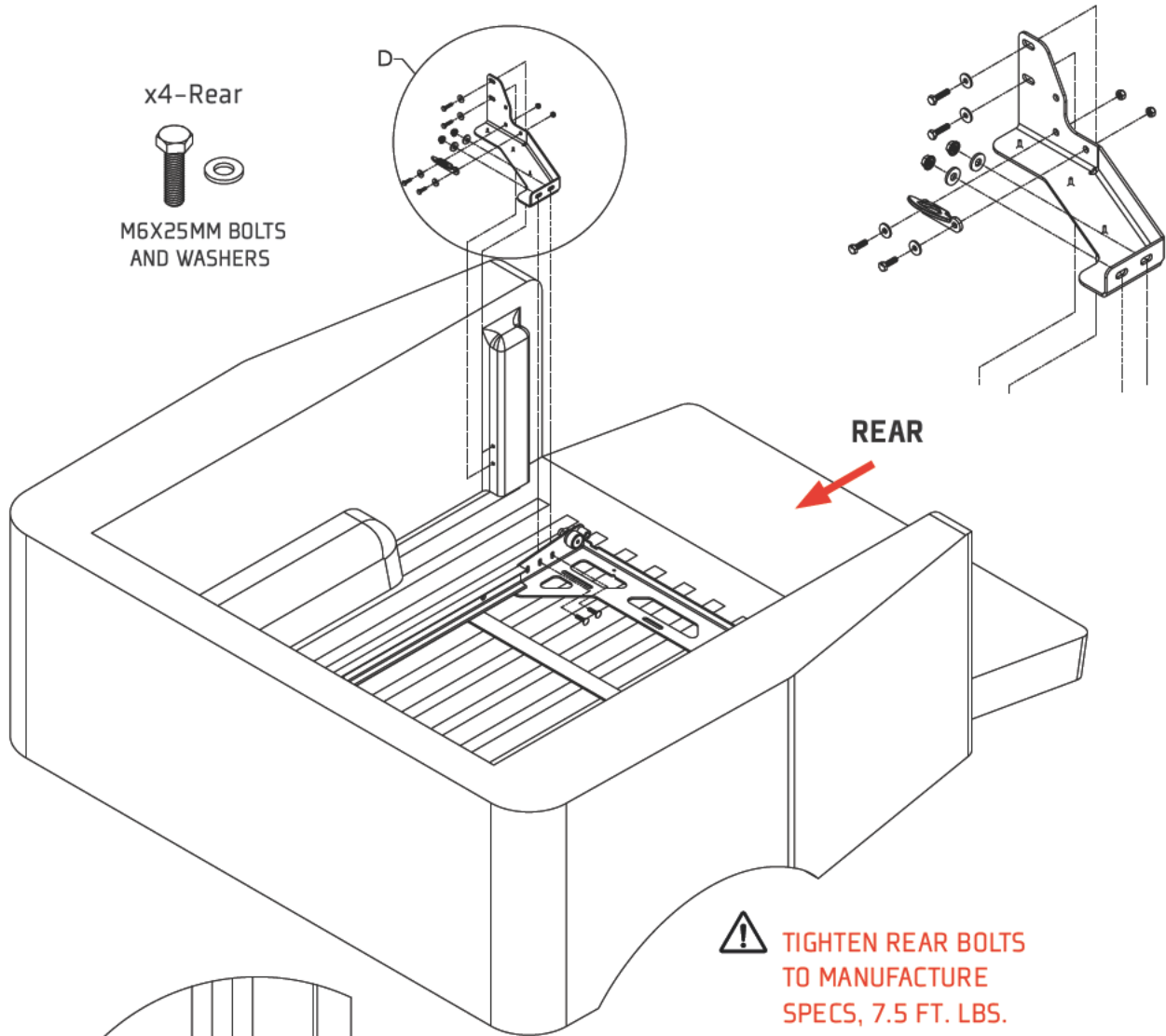
Using M8 x 25MM Tri-Lobe Screws and washers, secure LEFT and RIGHT front brackets to the bed by bolting into the holes from the front tie-downs removed earlier. **NOTE: Be sure to use the hardware in the kit.**



INSTALLATION

6 SECURE REAR MOUNTING BRACKETS TO THE BED

Using M6X25mm bolts and washers, secure LEFT and RIGHT rear brackets to the bed in holes where tie-downs were removed earlier.

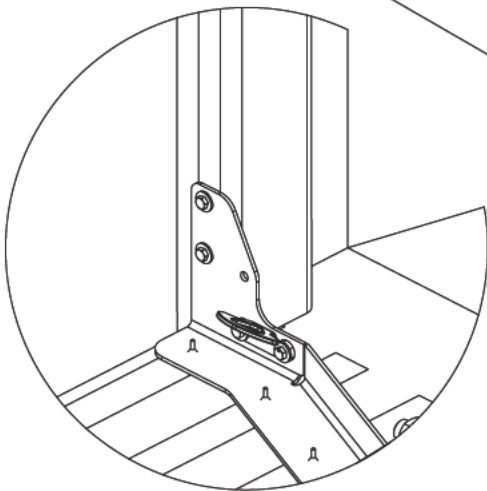


x4-Rear



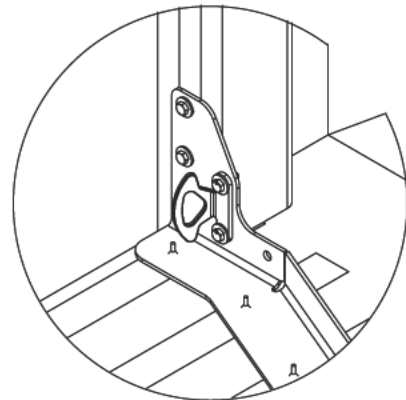
M6X25MM BOLTS
AND WASHERS

**⚠ TIGHTEN REAR BOLTS
TO MANUFACTURE
SPECS, 7.5 FT. LBS.**



TAILGATE TIEDOWN: OPTION 1

Using M6x20mm bolts, washers and nuts install original tie-down brackets to rear brackets as shown in Option 1 or Option 2 positions.



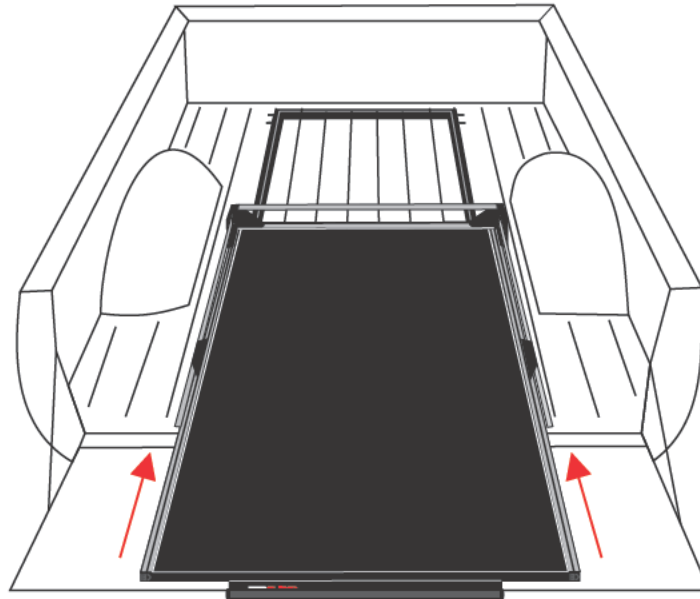
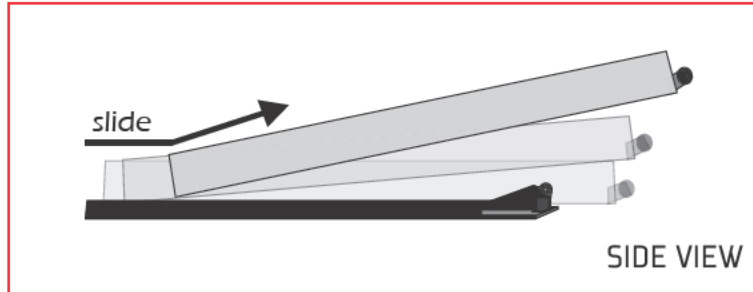
TAILGATE TIEDOWN: OPTION 2

INSTALLATION

7 RE-INSTALL SLIDING TOP FRAME

Re-install the BEDSLIDE® top frame into the base by placing top frame over the rear bearings and sliding the frame forward to the stowed position.

This step will require 2 people to help lift!



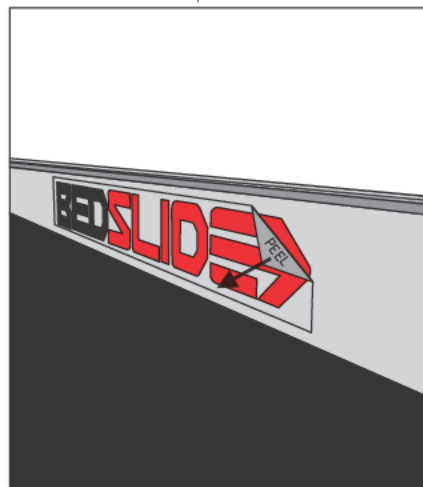
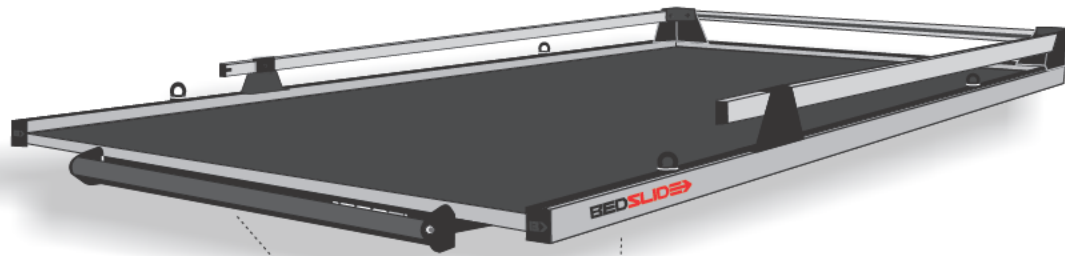
INSTALLATION

10 PROTECTIVE FILM REMOVAL

Pull a corner of the protective film and slowly pull it away from the die cut decals on each side of the tie down rails.



If the film comes up with a letter attached, position back in place and rub with a card such as a bank card or even your hand so the decal adheres to the surface of the tie down rail.





OPERATION

OPERATION

PROPER BEDSLIDE OPERATION

Proper operation will ensure many years of great service from your BEDSLIDE®.

Below are 4 easy steps for proper operation:

1. Pull T-handle against the grab bar
2. With both hands firmly on the bar handle, slide to desired extension
3. Release handle and ensure it is in a locked position
4. Reverse steps to retract



Do not operate on steep inclines!

Failure to do so can result in a runaway slide if the vehicle is on an incline. Utilize safety straps when BEDSLIDE® is in retracted position.



Do not load the BEDSLIDE® beyond it's weight capacity!

Overloading the unit may cause damage to the steel frame or roller bearings.



Keep weight evenly distributed!

Improper loading may cause damage to the frame or roller bearings.



Do not drive in the extended position!

It is not safe and may cause damage to the latching pin or cause serious damage to the BEDSLIDE® frame.



Avoid fuel, oil, and chemical spills on the deck surface!

Prolonged exposure to fuel or chemicals will result in permanent stains on the deck surface. Wipe away immediately to avoid deck damage.