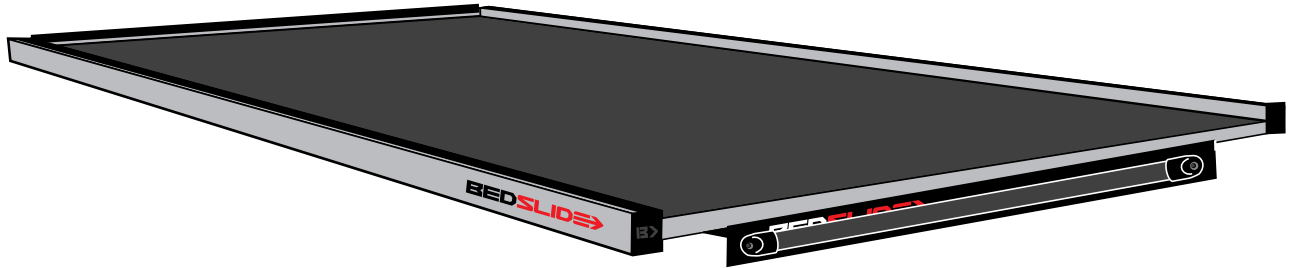


BEDSLIDE®

2024 Toyota Tacoma



Heavy!
Team Lift!



Caution



Loctite 242



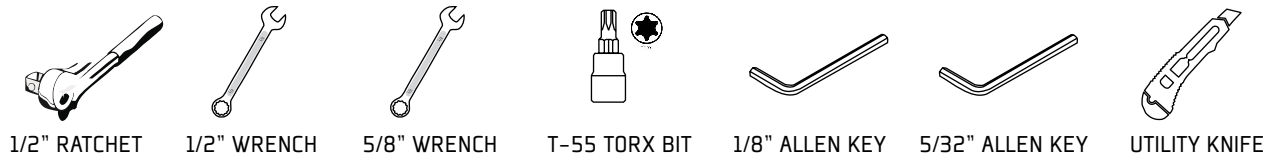
Discard

KIT CONTENTS

<p>A <u>BEDSLIDE®</u></p>	<p>B <u>NO DRILL BRACKETS</u></p> <p>[2] CAB END BRACKETS</p> <p>[2] TAILGATE END BRACKETS</p>
<p>C <u>GUARDRAIL KIT</u></p> <p>[2] CORNER TOWERS</p> <p>[2] SIDE TOWERS</p> <p>[2] GUARDRAILS</p> <p>[2] HEAD RAIL</p>	<p>D <u>HARDWARE KIT</u></p> <ul style="list-style-type: none"> (1) LOCKTITE TUBE (18) MOUNT BLOCKS (4) D-RING TIE DOWNS (4) BOLT, CARRIAGE 3/8-16 X 3/4 (4) BOLT, CARRIAGE 5/16-18 X 1-1/4 (4) NUT, 3/8-16 SERRATED FLANGE (6) NUT, 5/16-18 SERRATED FLANGE (14) SCREW, BUTTONHEAD 1/4-20 X 3/4 (4) SCREW, M12 X 1.25 X 120 mm (4) WASHER, M12 (4) SPACER, ALUMINUM

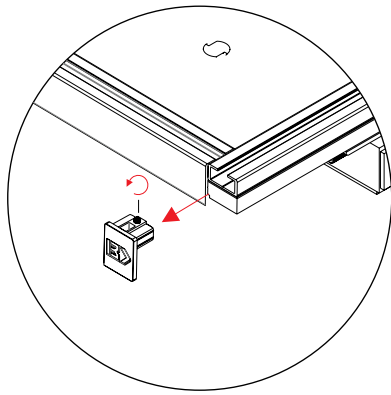
NOTE: Ensure truck bed is clean and free of any cargo prior to installation.

TOOLS REQUIRED

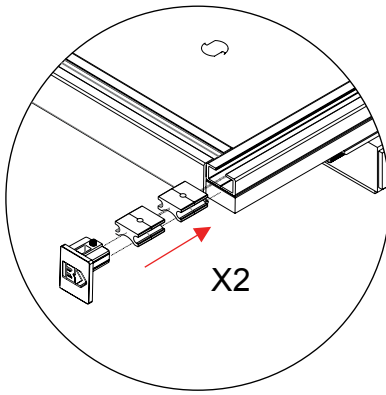


NOTE: READ INSTRUCTIONS COMPLETELY BEFORE ATTEMPTING INSTALLATION.

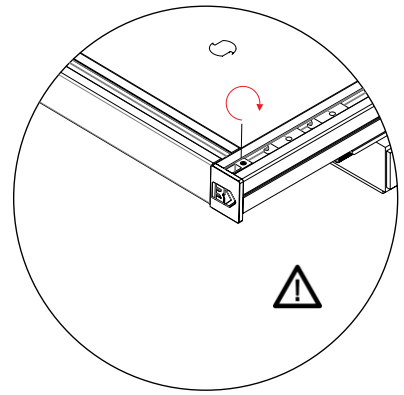
GUARDRAIL ASSEMBLY



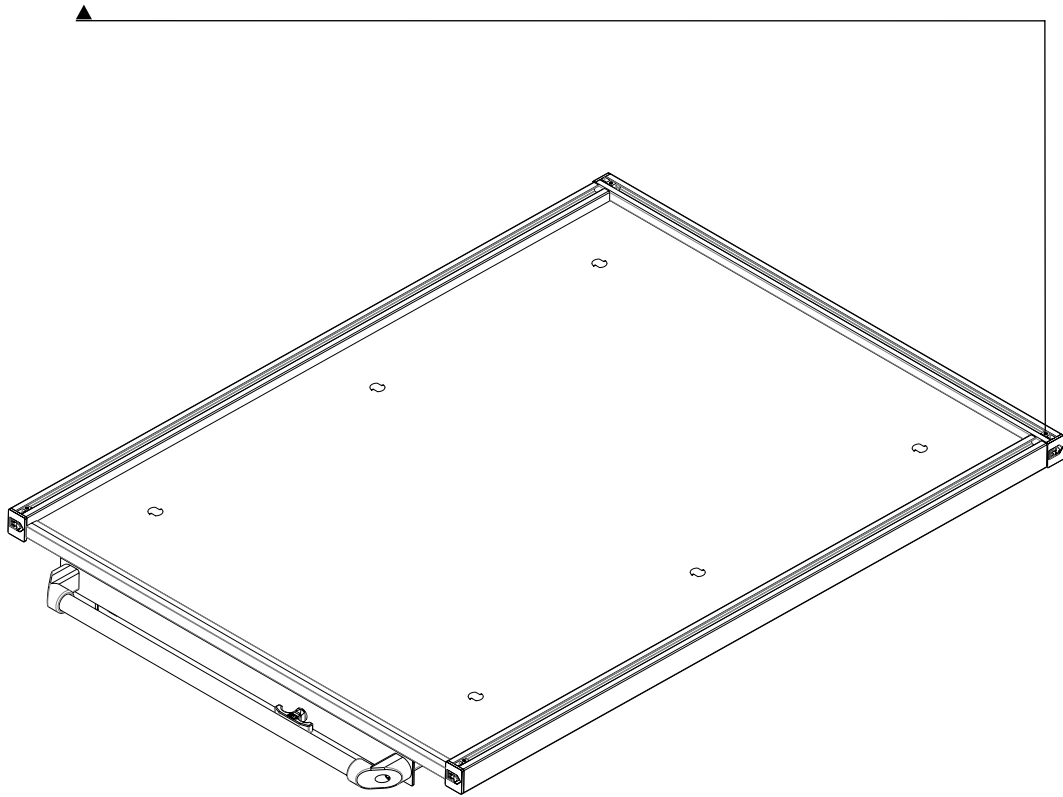
1.



2.



3.

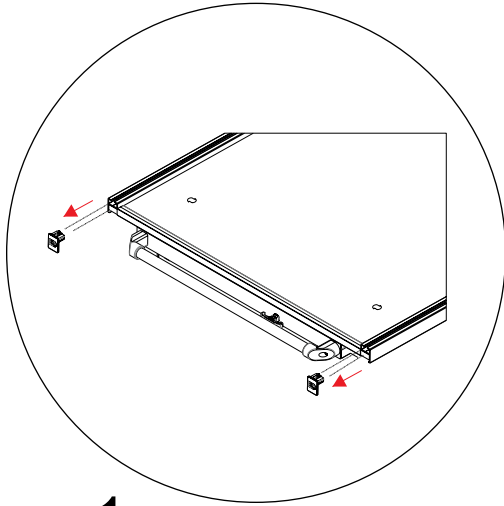


1/8" ALLEN KEY

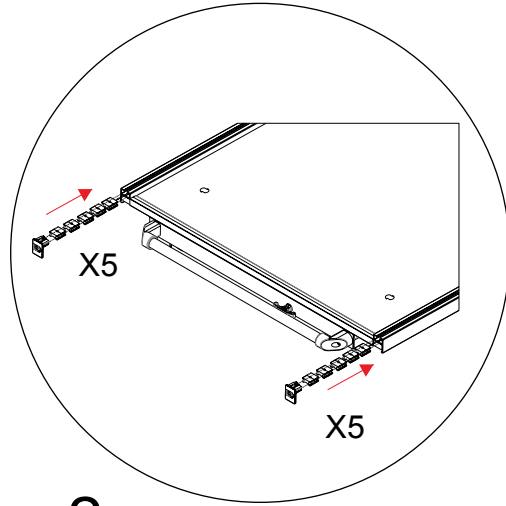


TIGHTEN SNUG PLUS 1/4 TURN.

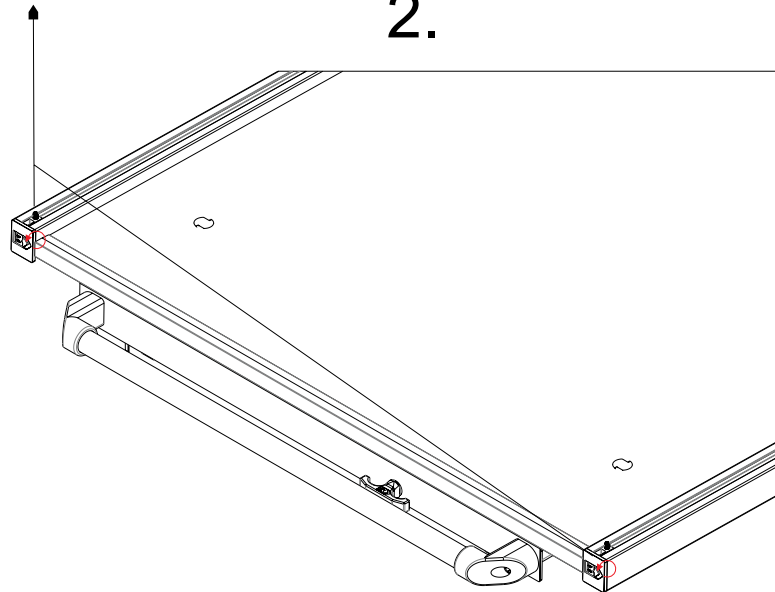
GUARDRAIL ASSEMBLY



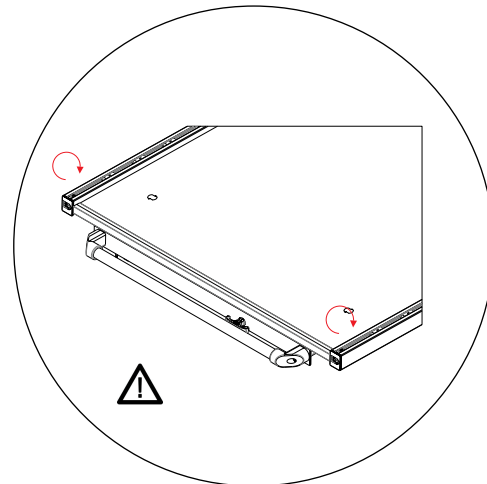
1.



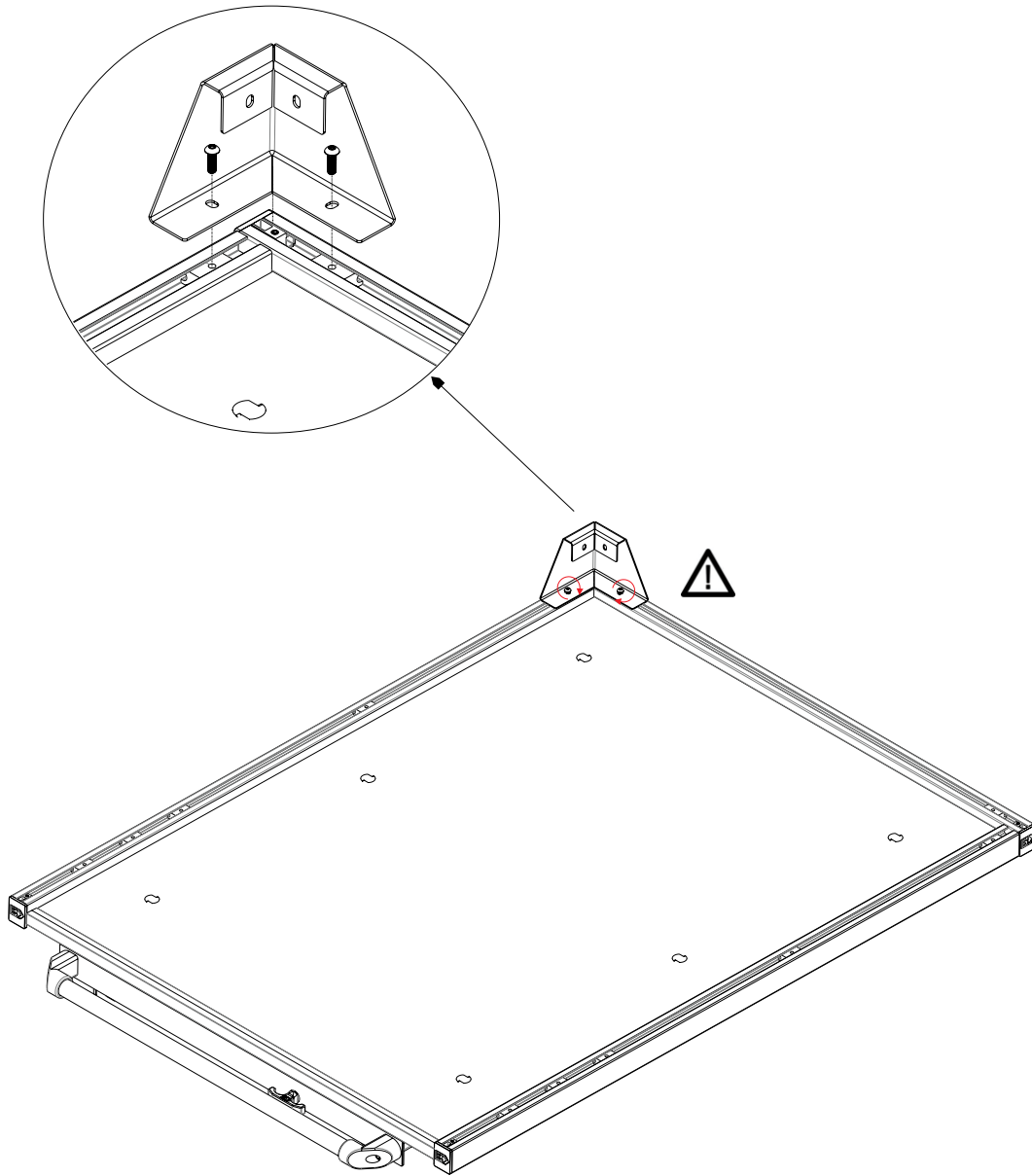
2.



3.



GUARDRAIL ASSEMBLY

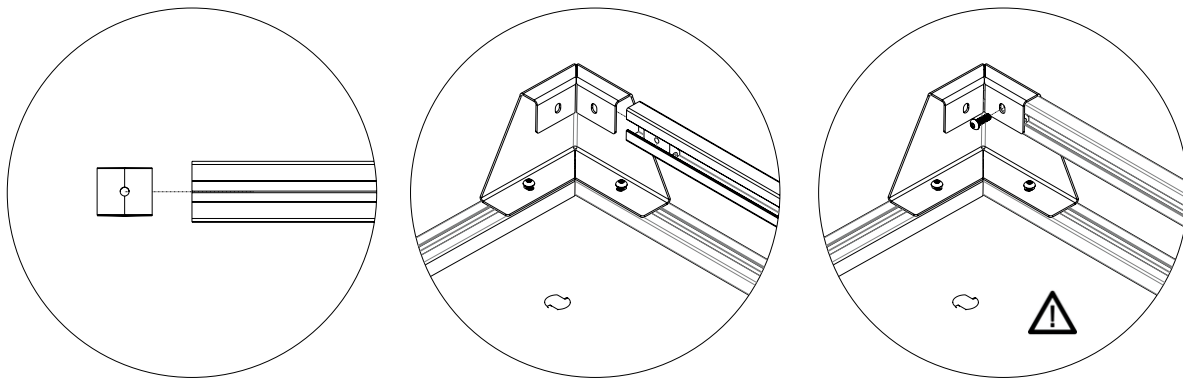


5/32" ALLEN KEY



DO NOT TIGHTEN!

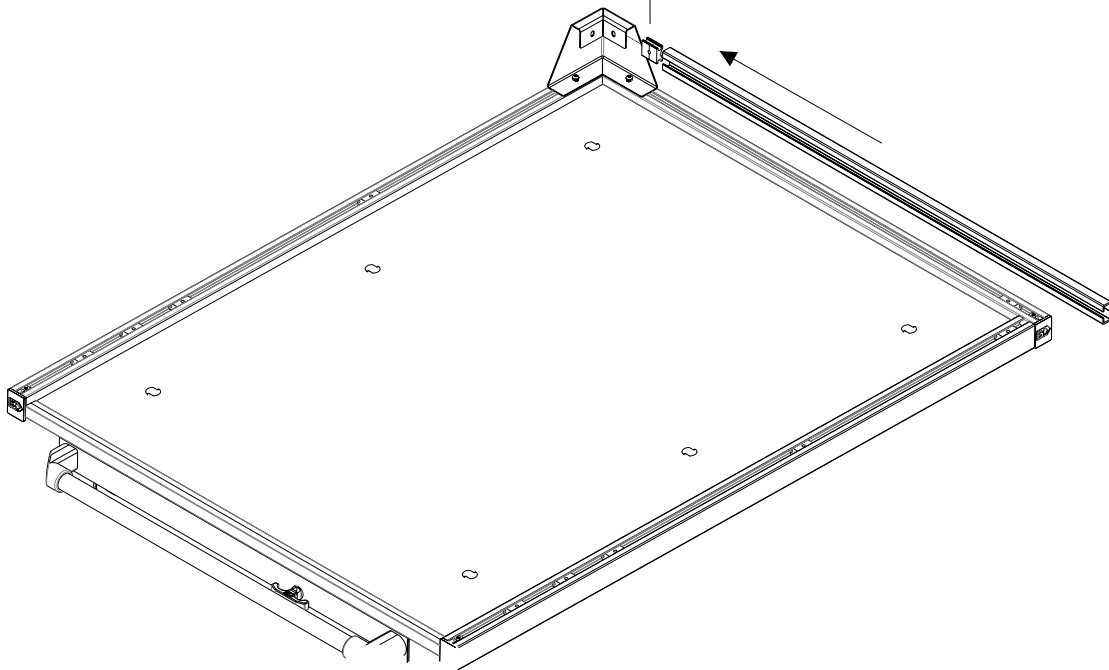
GUARDRAIL ASSEMBLY



1.

2.

3.

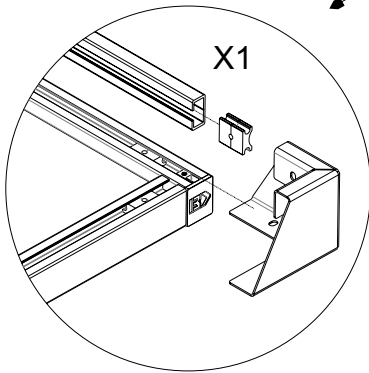
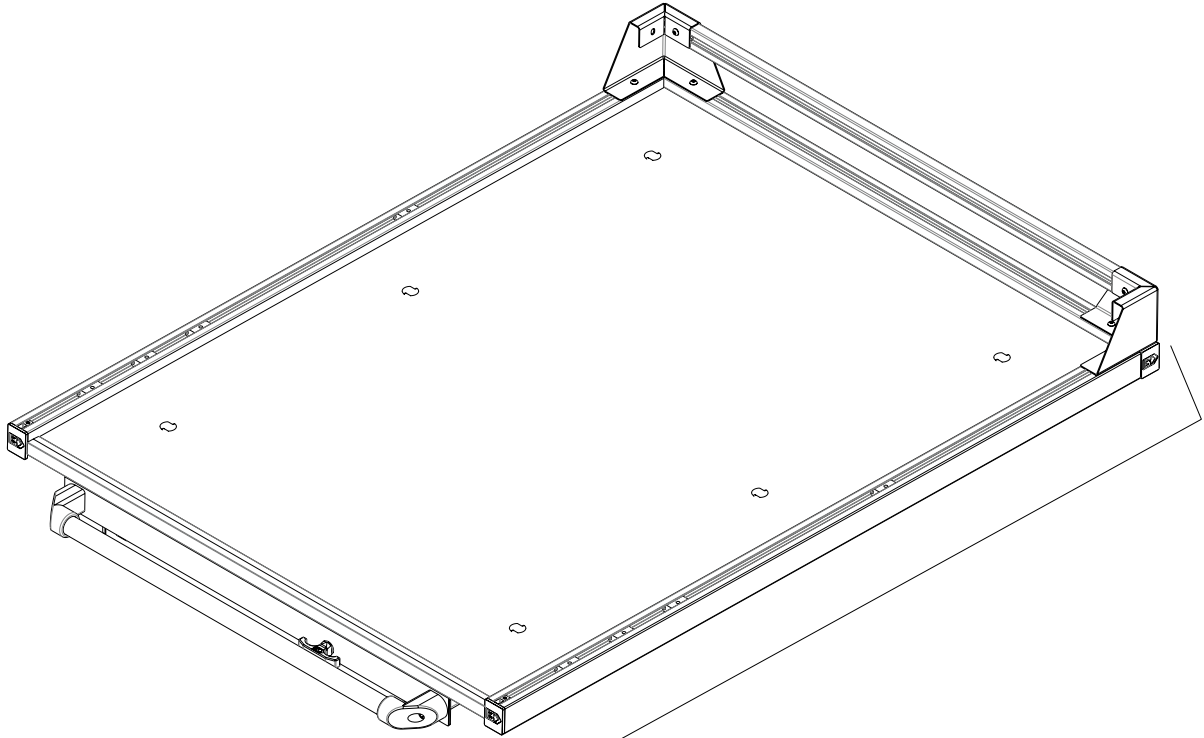


5/32" ALLEN KEY

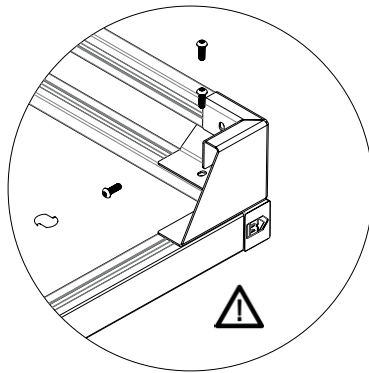


DO NOT TIGHTEN!

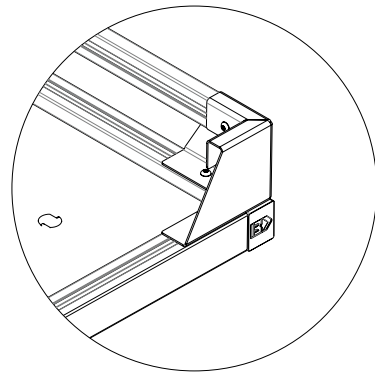
GUARDRAIL ASSEMBLY



1.



2.



3.

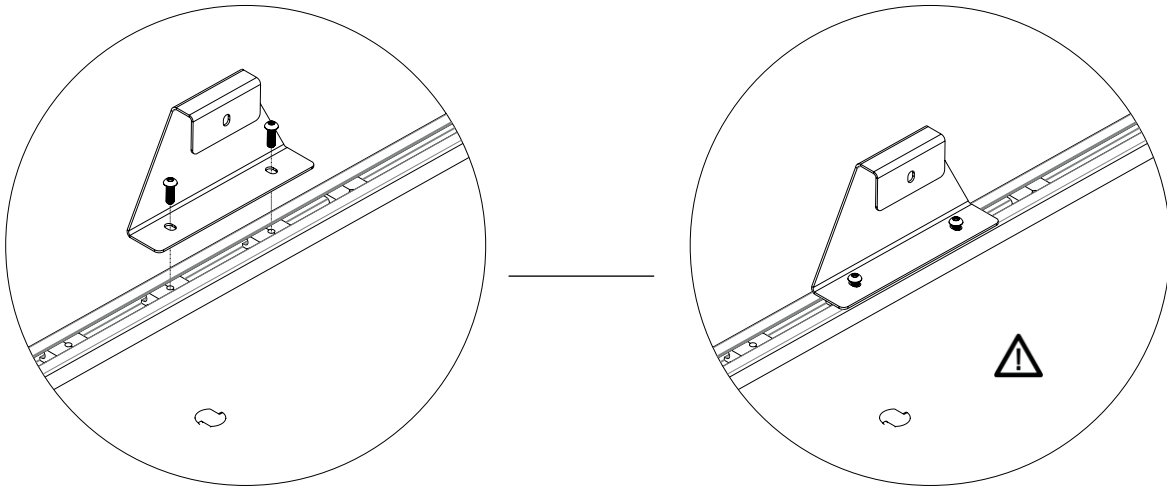


5/32" ALLEN KEY



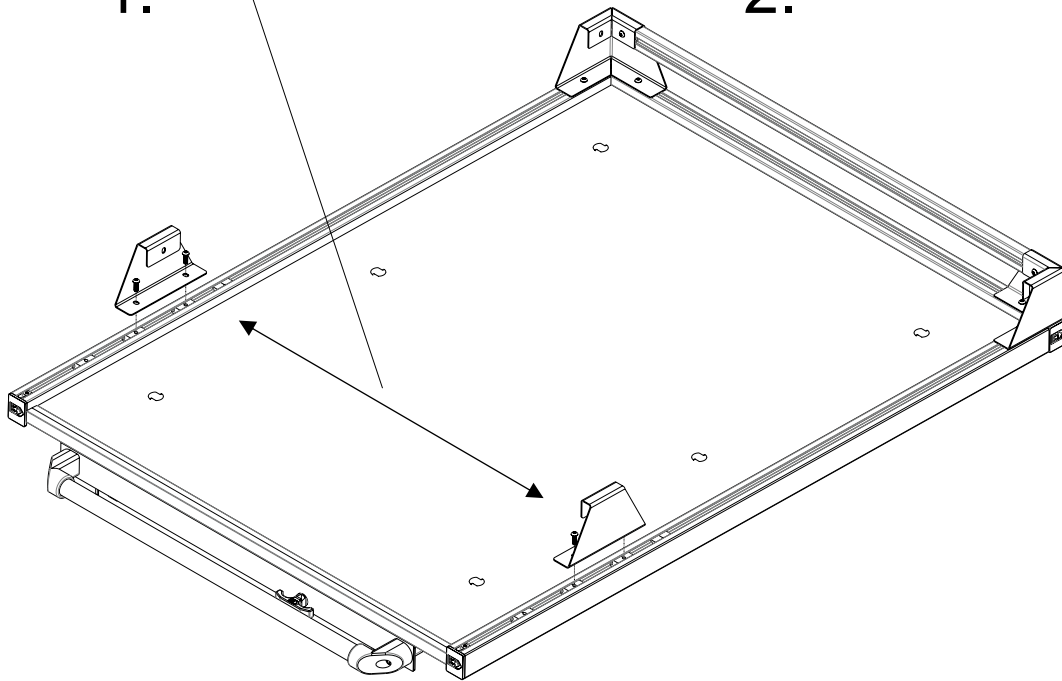
DO NOT TIGHTEN!

GUARDRAIL ASSEMBLY



1.

2.

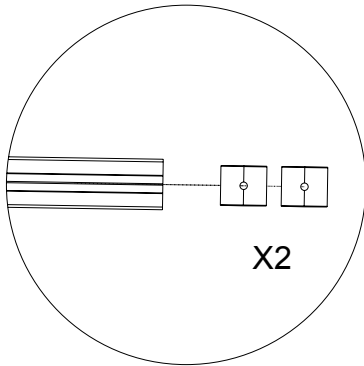


5/32" ALLEN KEY

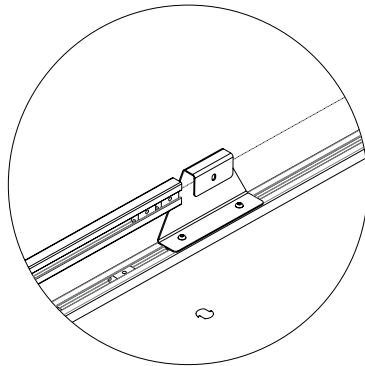


DO NOT TIGHTEN!

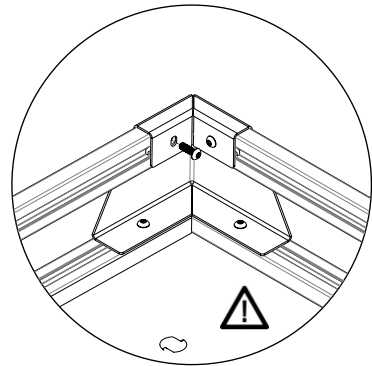
GUARDRAIL ASSEMBLY



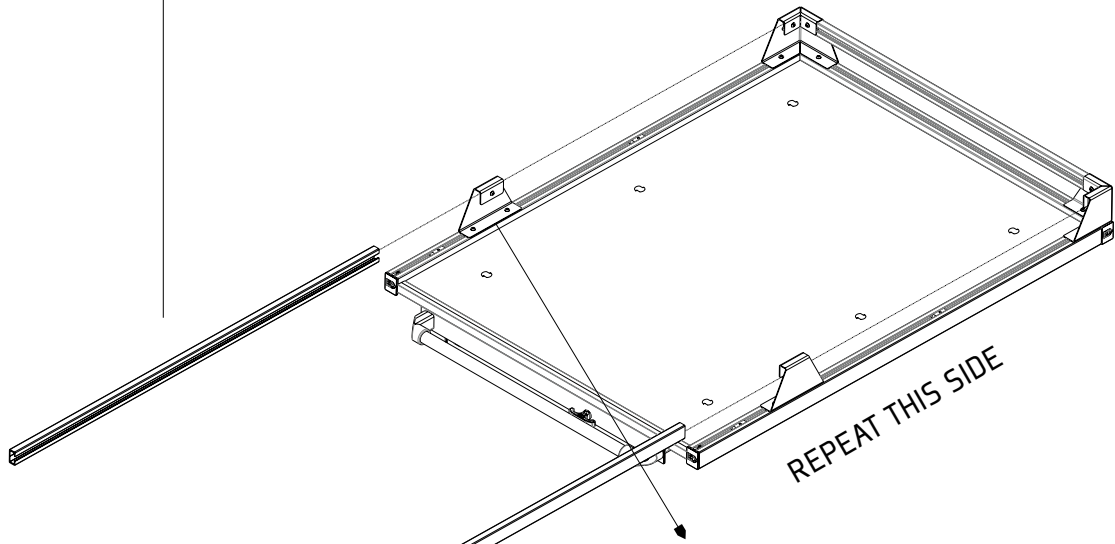
1.



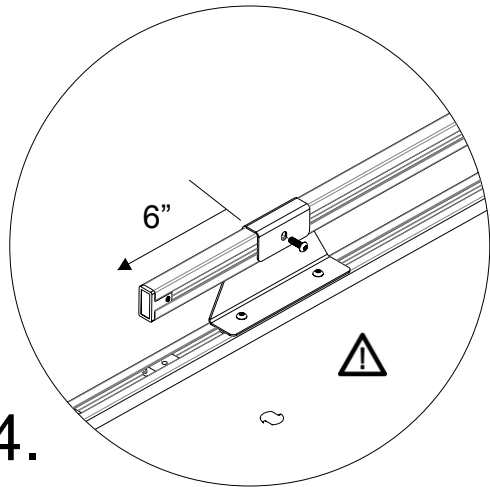
2.



3.



REPEAT THIS SIDE



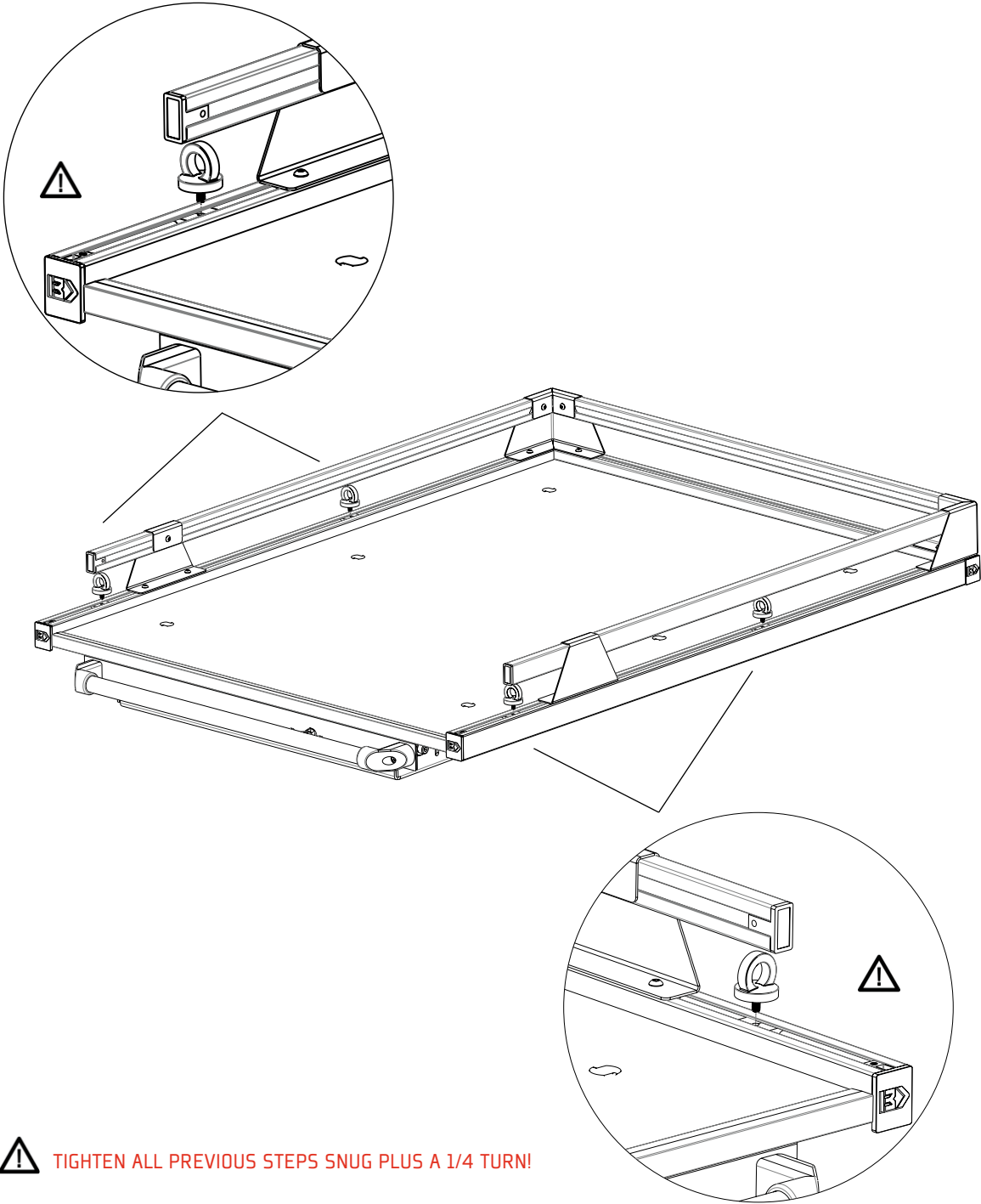
4.



5/32" ALLEN KEY

 DO NOT TIGHTEN!

GUARDRAIL ASSEMBLY



⚠ TIGHTEN ALL PREVIOUS STEPS SNUG PLUS A 1/4 TURN!

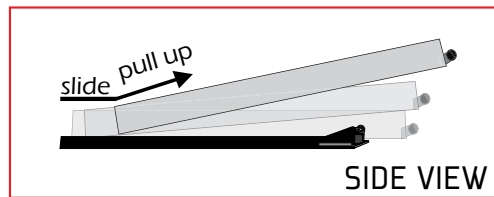
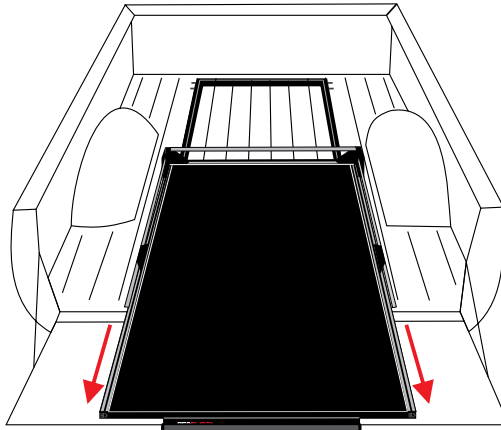


INSTALLATION

INSTALLATION

1 SEPARATE SLIDING TOP FRAME FROM THE BASE

Fully extend the BEDSLIDE® and remove the top frame by lifting up and out. The welded safety stops must go up and over the rear roller bearings and spacer guides in order for the top frame to release. **This step will require 2 people to help lift!**

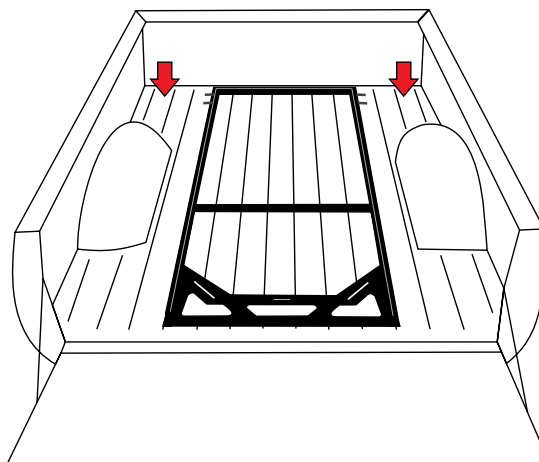


2 REMOVE SPRAY-IN LINER MATERIAL

If your bed is equipped with a spray-in bed liner you must cut and remove the material around the bed bolt.



UTILITY KNIFE



INSTALLATION

3 LOOSEN AND REMOVE CAB END BED BOLTS

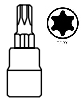
Loosen and remove the cab end bed bolts using a ratchet with a T-55 torx bit. **Loosen per manufacturer specs. If your truck bed is equipped with a spray-in bed liner you will need to cut around the head of each bolt with a utility knife to help break the bed bolts free.**



Discard the bed bolts.



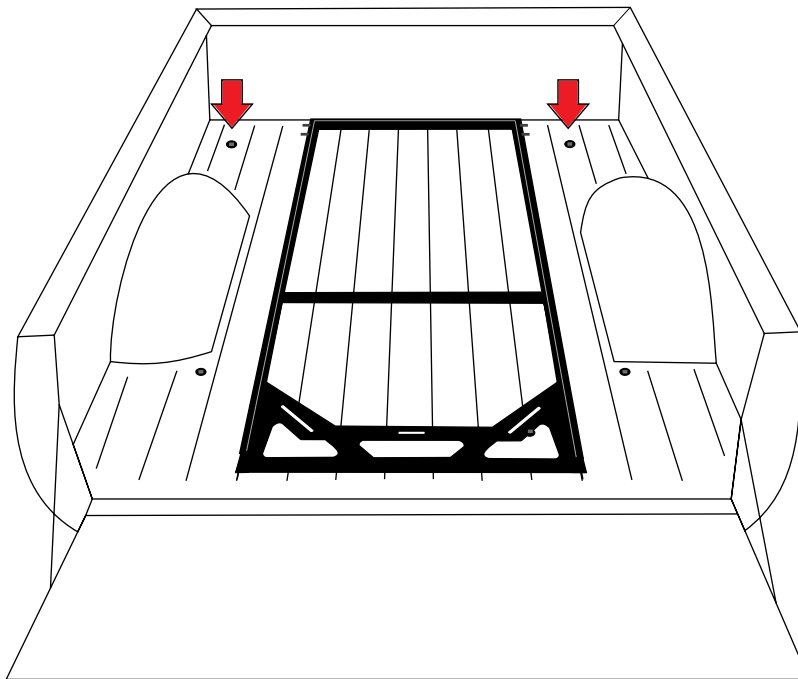
DO NOT REMOVE ALL 4 BED BOLTS AT ONCE! Removal of all 4 bed bolts will allow the bed to move out of alignment. This will make it difficult to re-install the bed bolts.



T-55 TORX BIT



UTILITY KNIFE



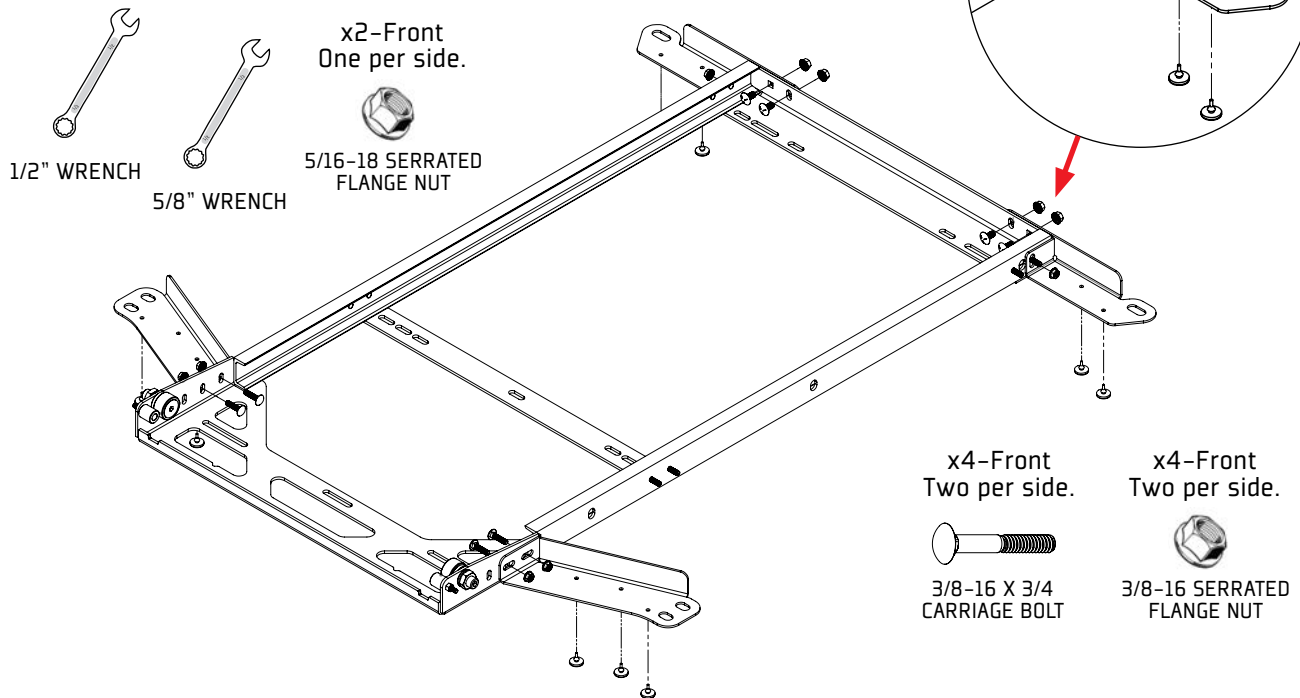
INSTALLATION

4 ATTACH FRONT (CAB END) MOUNTING BRACKETS

[A] Attach LEFT and RIGHT mounting brackets to the front-most threaded stud affixed to each side of the base frame. Secure the bracket to the base frame with one 5/16-18 serrated flange nut on each of the threaded studs. Tighten with a 1/2" wrench.

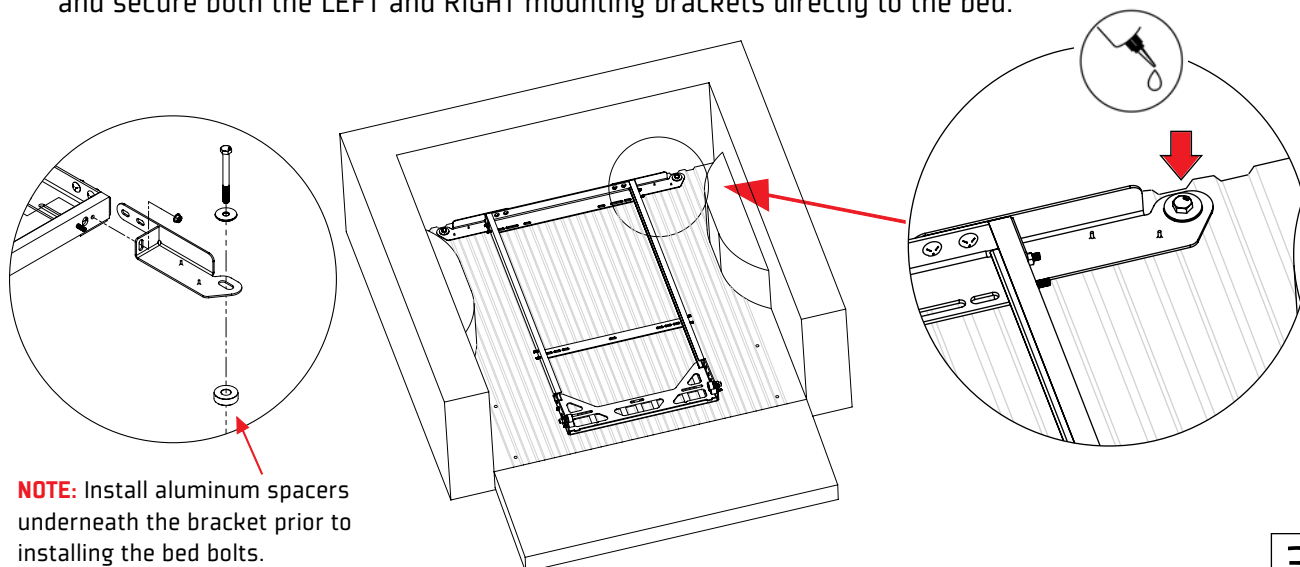
[B] Secure the bracket to the front of the base frame using 2 (two) 3/8-16/3/4 Carriage bolts and 2 (two) 3/8-16 serrated flange nuts.

 **TIGHTEN TO MANUFACTURER SPECS, 30 FT. LBS.**



5 SECURE FRONT (CAB END) MOUNTING BRACKETS TO THE BED

Apply a small bead of Loctite® 242 to the threads of the new factory bed bolts and secure both the LEFT and RIGHT mounting brackets directly to the bed.



INSTALLATION

6 LOOSEN AND REMOVE CENTER BED BOLTS

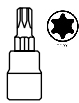
Loosen and remove the center bed bolts using a ratchet with a T-55 torx bit. Loosen per manufacturer specs. **If your truck bed is equipped with a spray-in liner you will need to cut around the head of each bolt with a utility knife to break the bed bolts free.**



Discard the bed bolts.



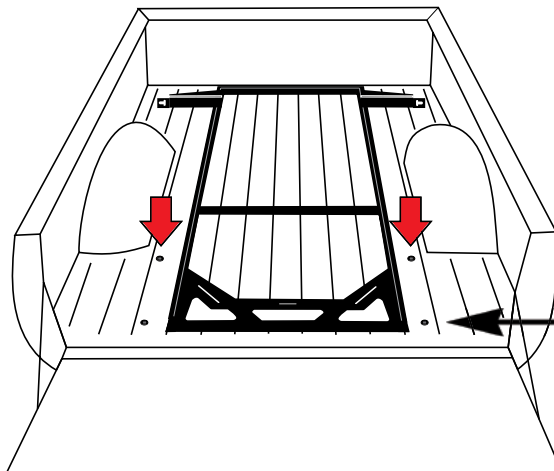
DO NOT REMOVE ALL 4 BED BOLTS AT ONCE! Removal of all 4 bed bolts will allow the bed to move out of alignment. This will make it difficult to re-install the bed bolts.



T-55 TORX BIT



UTILITY KNIFE



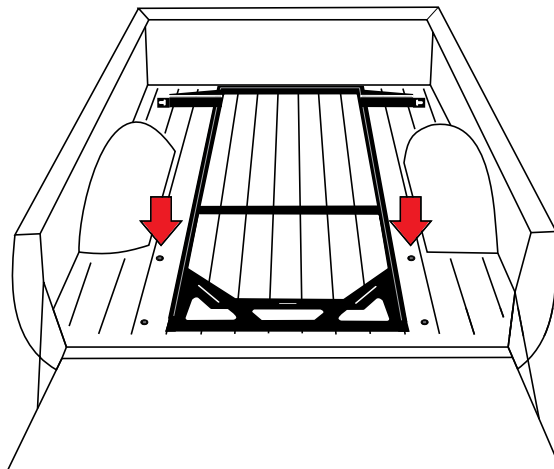
Bed bolt location depends on bed size.

7 REMOVE SPRAY-IN LINER MATERIAL

If your bed is equipped with a spray-in bed liner you must cut and remove the material around the bed bolt.



UTILITY KNIFE



INSTALLATION

8 ATTACH REAR MOUNTING BRACKETS

Attach LEFT and RIGHT mounting brackets to the base frame using 2 (two) 5/16-18 x 1 1/4 Carriage Bolts. Secure each bracket with two 5/16-18 serrated flange nuts and tighten with a 1/2" wrench.

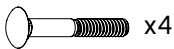


TIGHTEN TO 21 FT. LBS.



x4

5/16-18 SERRATED
FLANGE NUT

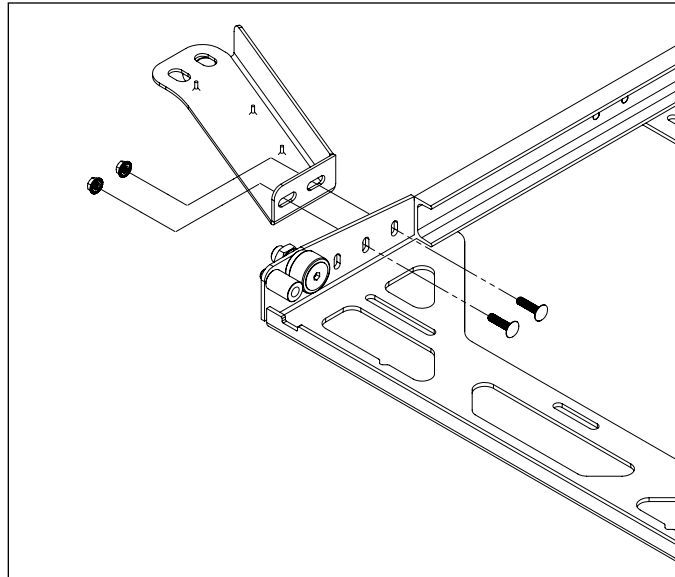


x4

5/16-18 X 1-1/4"
CARRIAGE BOLT



1/2" WRENCH



9 SECURE REAR MOUNTING BRACKETS TO THE BED

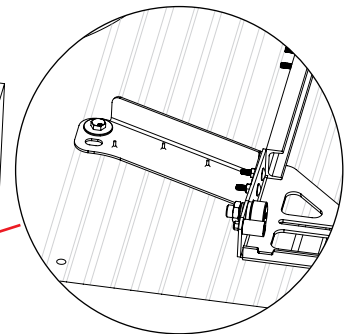
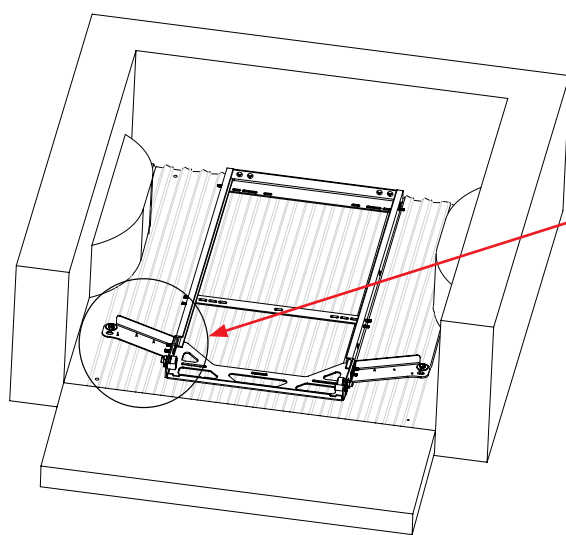
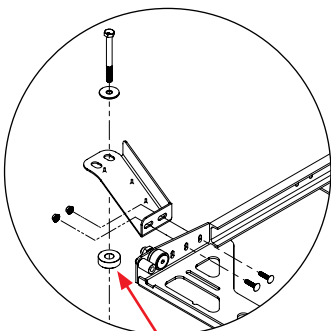
Apply a small bead of Loctite® 242 to the threads of the new factory bed bolts and secure both the LEFT and RIGHT mounting brackets directly to the bed.



TIGHTEN ALL FOUR BED BOLTS TO 59 FT. LBS. TO SECURE THE BEDSLIDE® IN PLACE.



19MM WRENCH



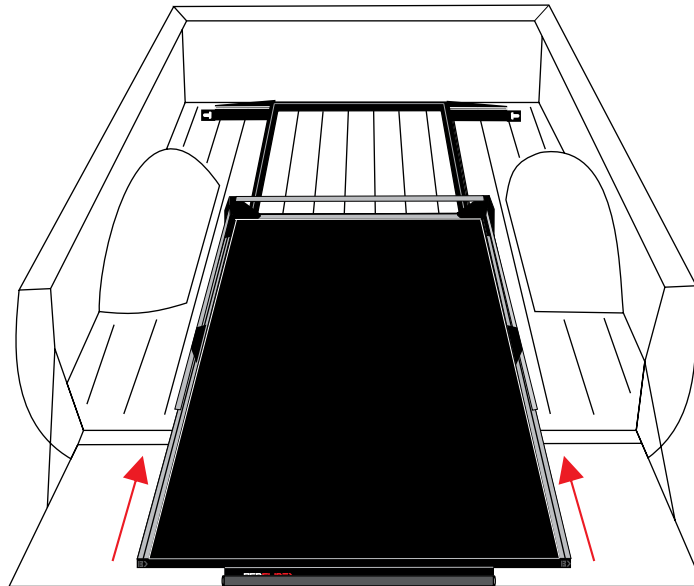
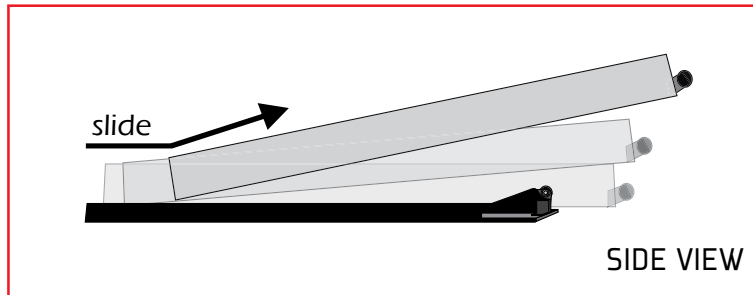
NOTE: Install aluminum spacers underneath the bracket prior to installing the M12 x 1.25mm x 120mm Screw and washer

INSTALLATION

10 RE-INSTALL SLIDING TOP FRAME

Re-install the BEDSLIDE® top frame into the base by placing top frame over the rear bearings and sliding the frame forward to the stowed position.

This step will require 2 people to help lift!



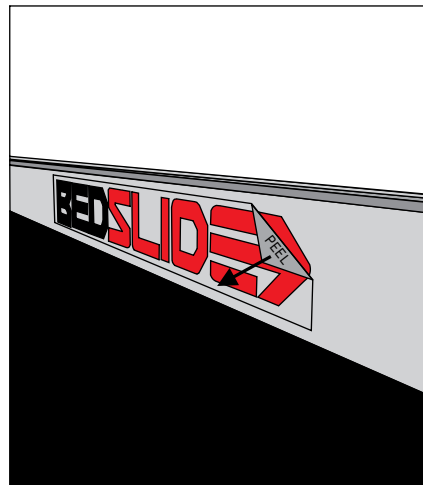
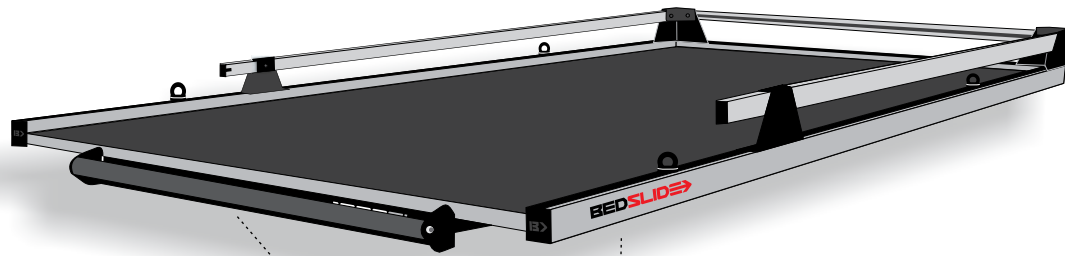
INSTALLATION

11 PROTECTIVE FILM REMOVAL

Pull a corner of the protective film and slowly pull it away from the die cut decals on each side of the tie down rails.



If the film comes up with a letter attached, position back in place and rub with a card such as a bank card or even your hand so the decal adheres to the surface of the tie down rail.





OPERATION

OPERATION

PROPER BEDSLIDE OPERATION

Proper operation will ensure many years of great service from your BEDSLIDE®.

Below are 5 easy steps for proper operation:

1. Unclip safety straps
2. Pull T-handle against the grab bar
3. With both hands firmly on the bar handle, slide to desired extension
4. Release handle and ensure it is in a locked position
5. Reverse steps to retract



Do not operate on steep inclines!

Failure to do so can result in a runaway slide if the vehicle is on an incline. Utilize safety straps when BEDSLIDE® is in retracted position.



Do not load the BEDSLIDE® beyond it's weight capacity!

Overloading the unit may cause damage to the steel frame or roller bearings.



Keep weight evenly distributed!

Improper loading may cause damage to the frame or roller bearings.



Do not drive in the extended position!

It is not safe and may cause damage to the latching pin or cause serious damage to the BEDSLIDE® frame.



Avoid fuel, oil, and chemical spills on the deck surface!

Prolonged exposure to fuel or chemicals will result in permanent stains on the deck surface. Wipe away immediately to avoid deck damage.