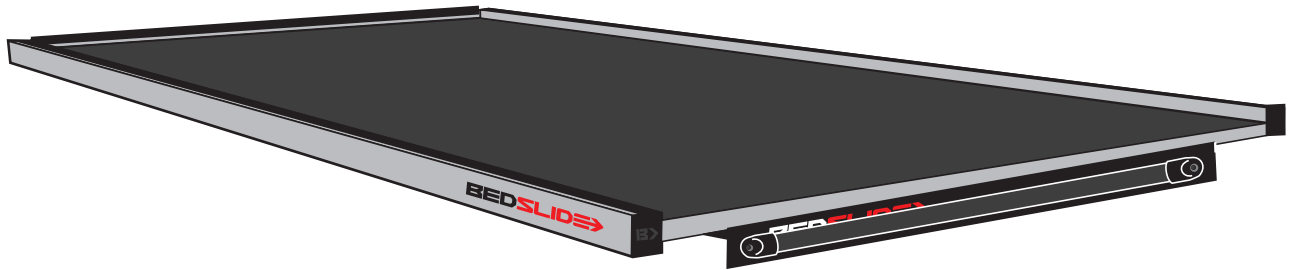


# BEDSLIDE®

## 2022 Nissan Frontier



### KIT CONTENTS



Heavy!  
Team Lift!



Caution

**A**

BEDSLIDE®



**B**

NO DRILL BRACKETS

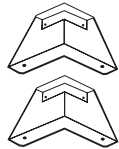
(2) CAB END BRACKETS

(2) TAILGATE END  
BRACKETS

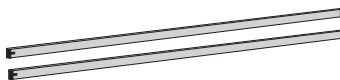


**C**

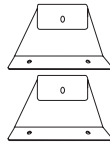
GUARDRAIL KIT



(2) CORNER TOWERS



(2) GUARDRAILS



(2) SIDE TOWERS



(2) HEAD RAIL

**D**

HARDWARE KIT

- (18) MOUNT BLOCKS
- (4) D-RING TIE DOWNS
- (4) BRACKET, BOTTOM MOUNT
- (4) BOLT, CARRIAGE, 5/16"-18 X 1 1/4"
- (10) NUT, 5/16"-18 SERRATED FLANGE
- (8) ZINC WASHER, 3/8" USS FLAT, ZINC
- (4) BOLT 3/8"-16 X 1, 1/2" HEX TAP, ZINC
- (1) LOCKTITE® PACKET



**NOTE: Ensure truck bed is clean and free of any cargo prior to installation.**

### TOOLS REQUIRED



TORQUE WRENCH



1/2" WRENCH  
& SOCKET



9/16" WRENCH  
& SOCKET



1/8" ALLEN KEY



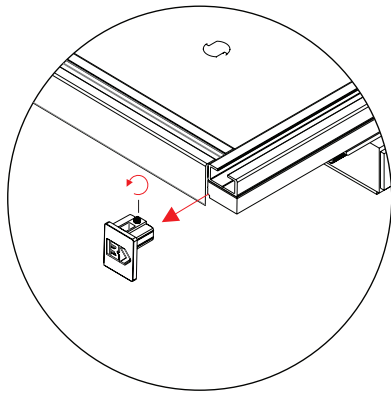
5/32" ALLEN KEY



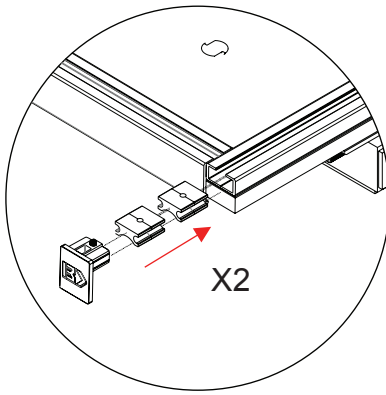
UTILITY KNIFE

**NOTE: READ INSTRUCTIONS COMPLETELY BEFORE ATTEMPTING INSTALLATION.**

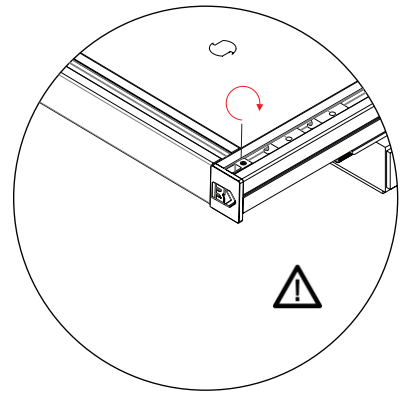
# GUARDRAIL ASSEMBLY



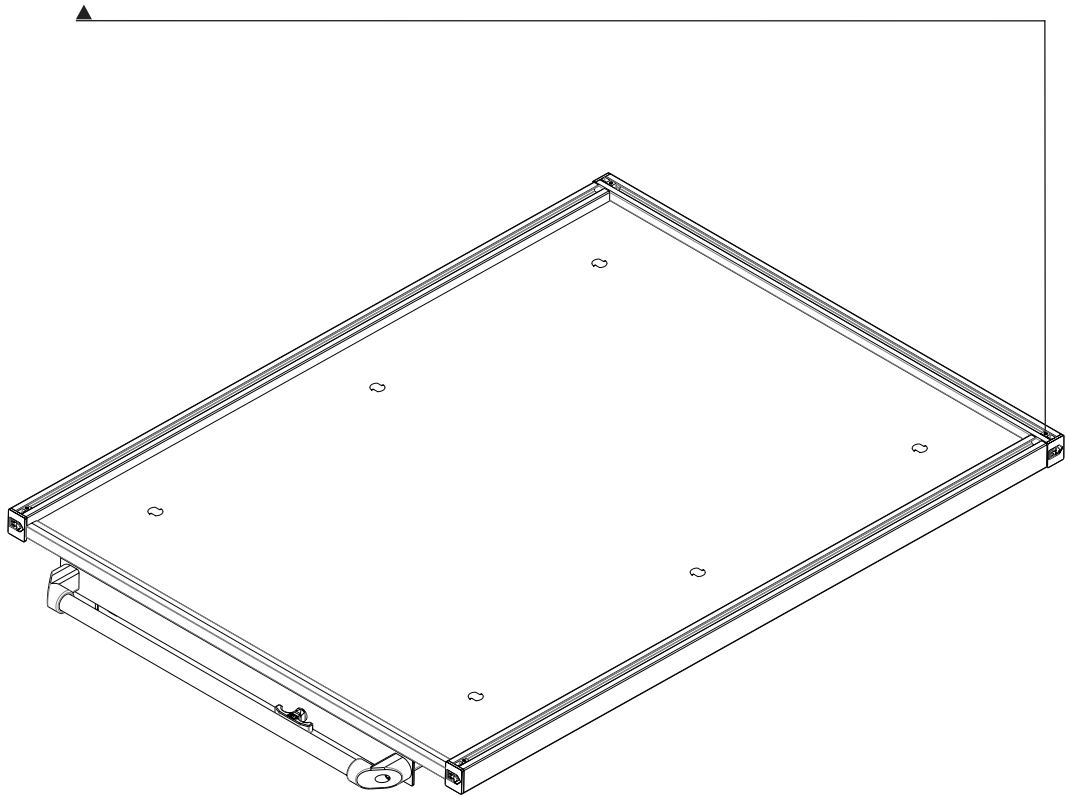
1.



2.



3.

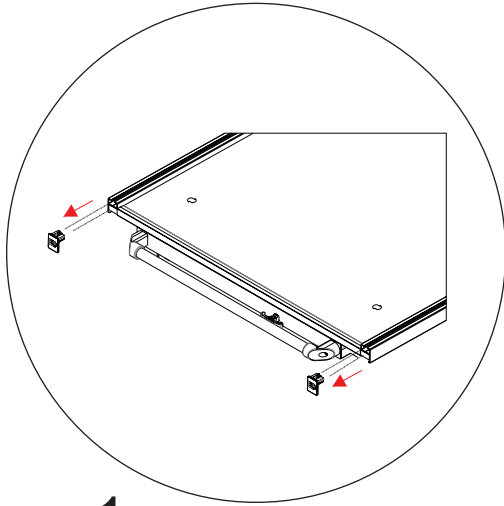


1/8" ALLEN KEY

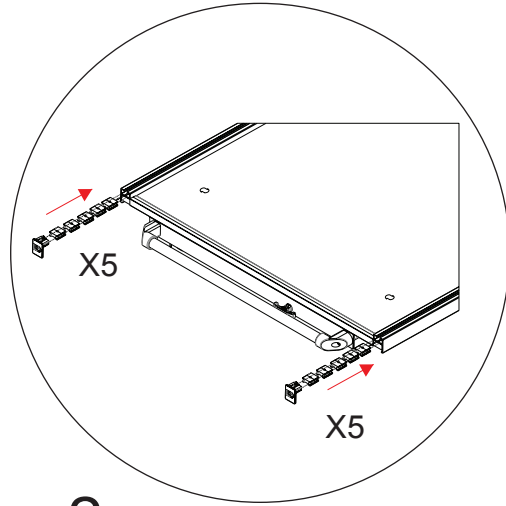


TIGHTEN SNUG PLUS 1/4 TURN.

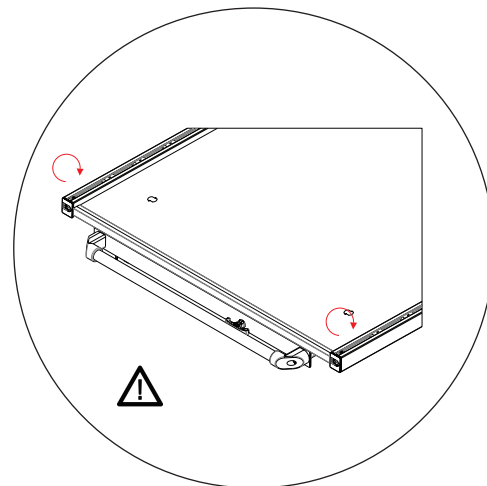
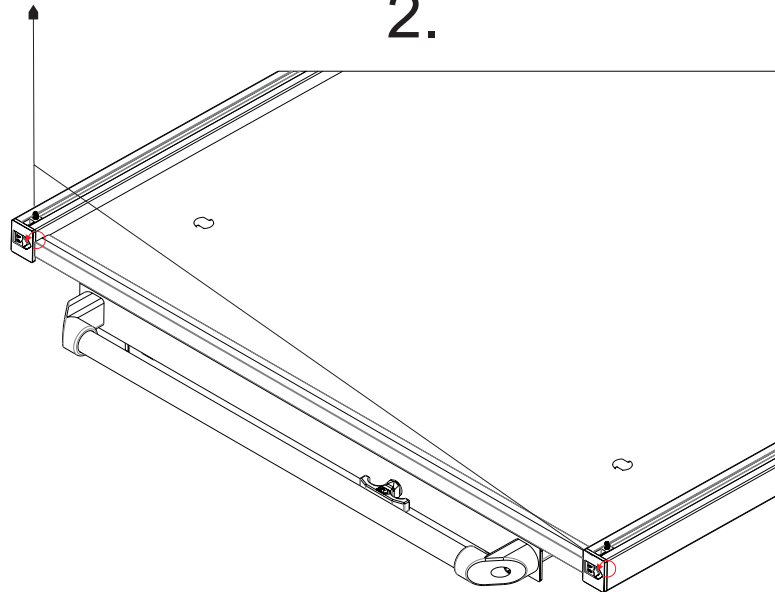
# GUARDRAIL ASSEMBLY



1.



2.



3.

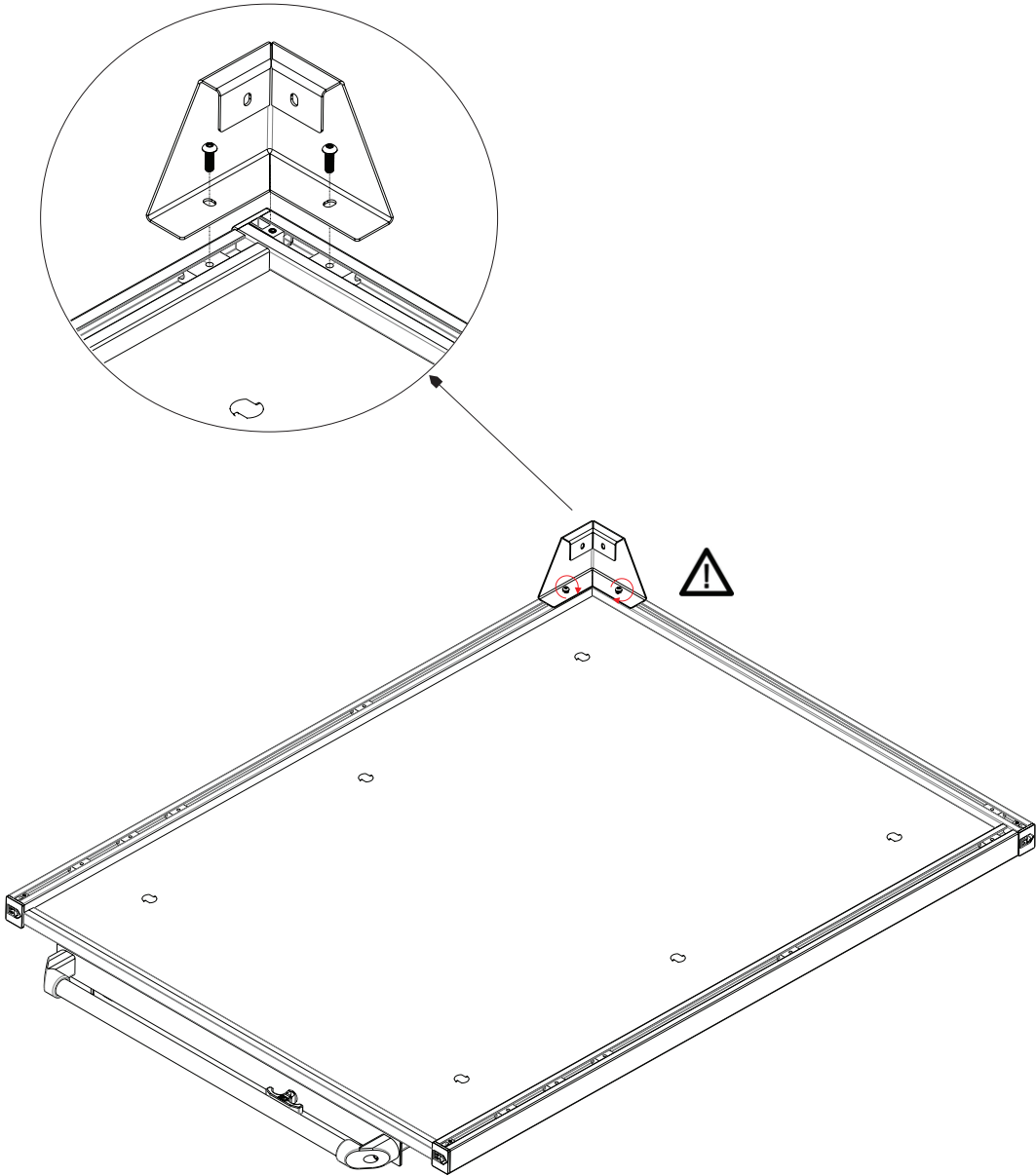


1/8" ALLEN KEY



TIGHTEN SNUG PLUS 1/4 TURN.

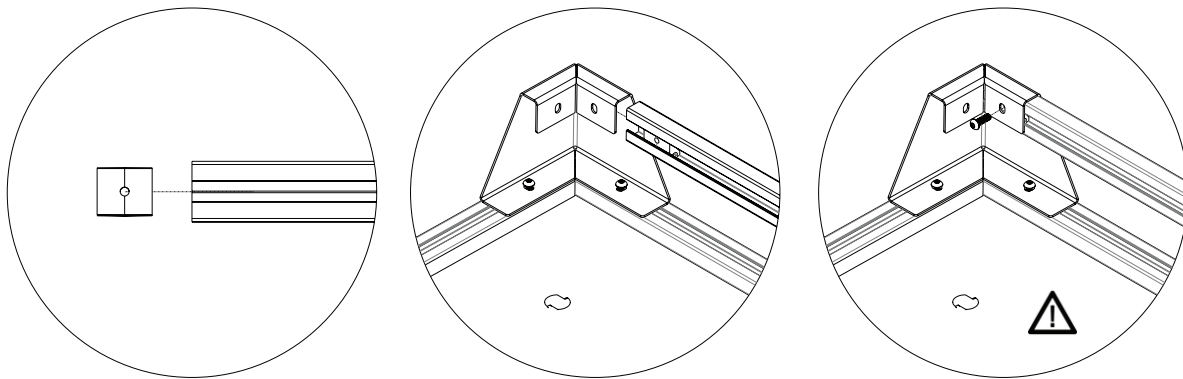
**GUARDRAIL ASSEMBLY**



5/32" ALLEN KEY

 **DO NOT TIGHTEN!**

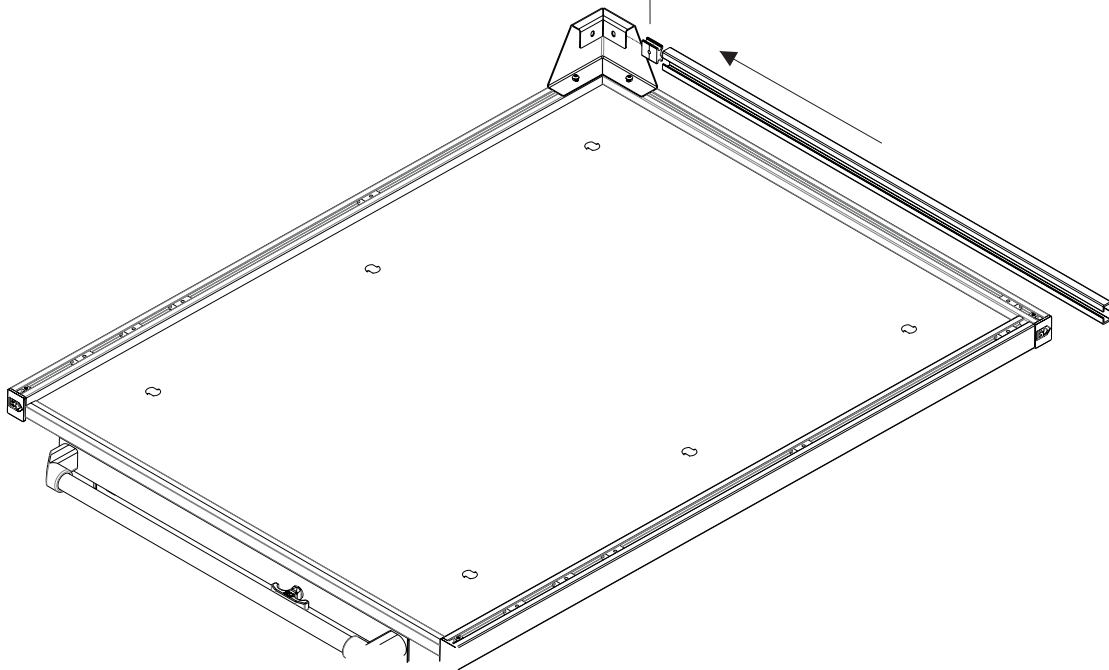
# GUARDRAIL ASSEMBLY



1.

2.

3.

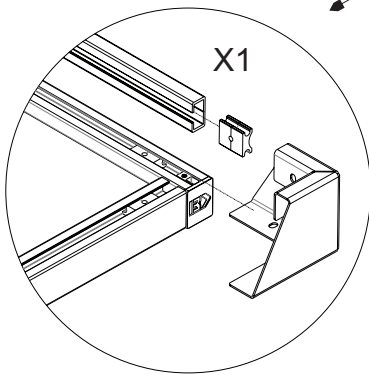
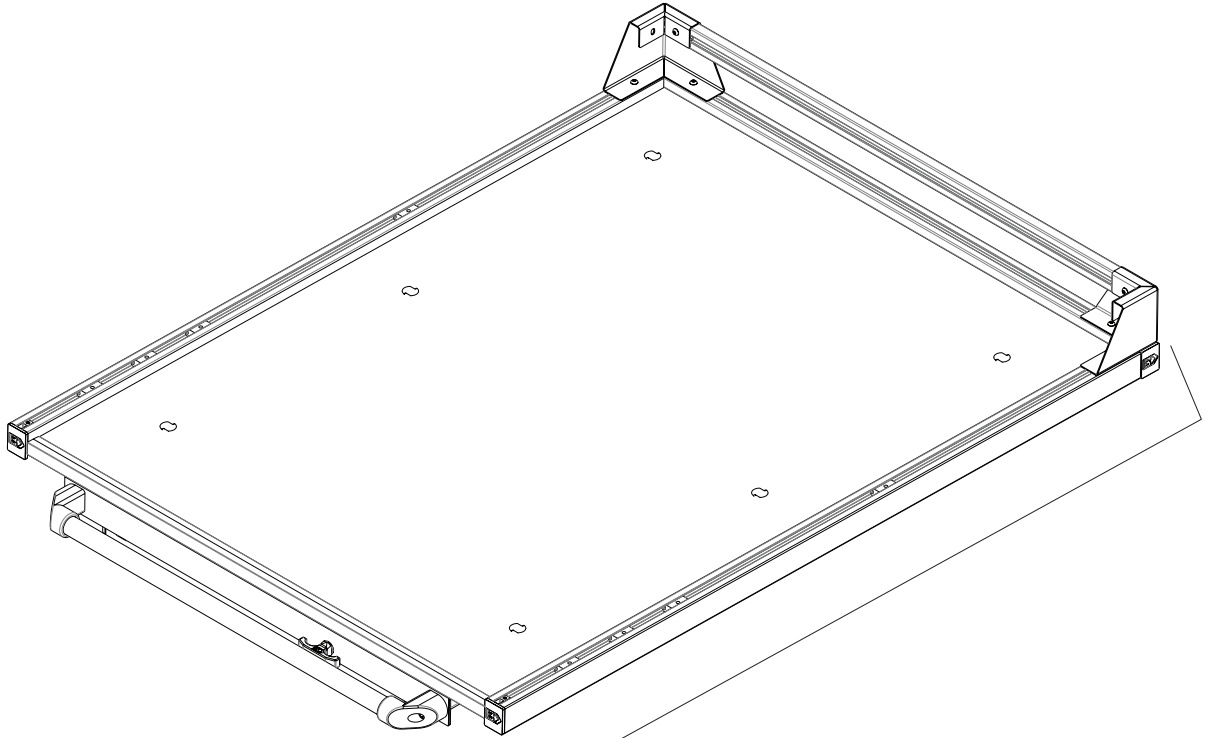


5/32" ALLEN KEY

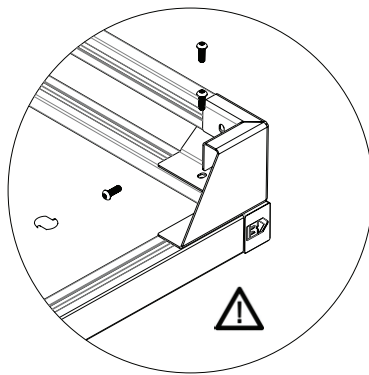


**DO NOT TIGHTEN!**

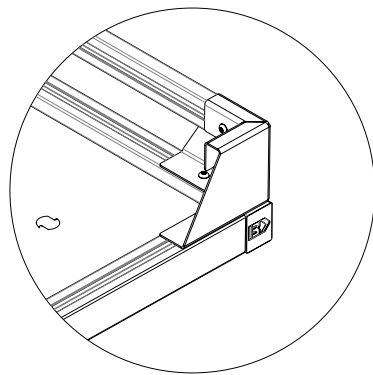
# GUARDRAIL ASSEMBLY



1.



2.



3.

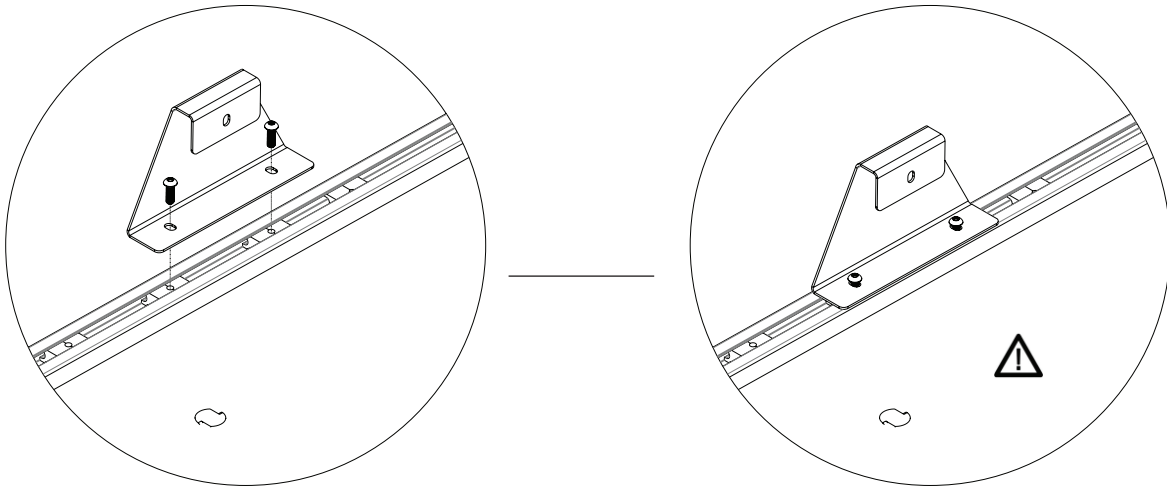


5/32" ALLEN KEY



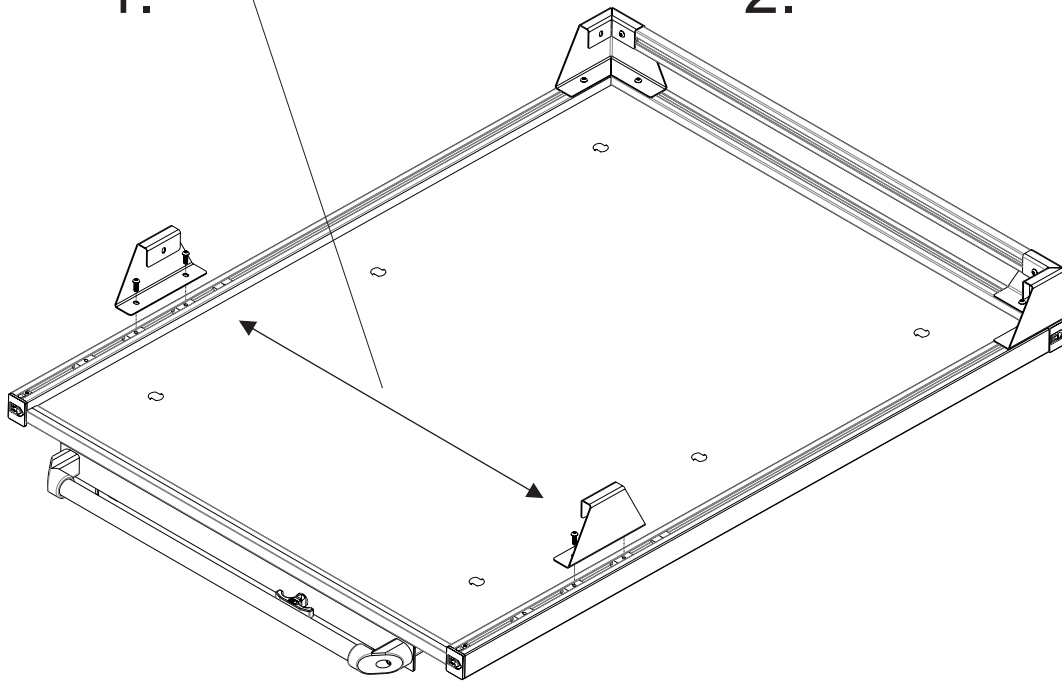
**DO NOT TIGHTEN!**

# GUARDRAIL ASSEMBLY



1.

2.

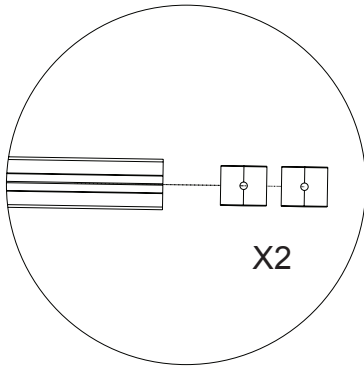


5/32" ALLEN KEY

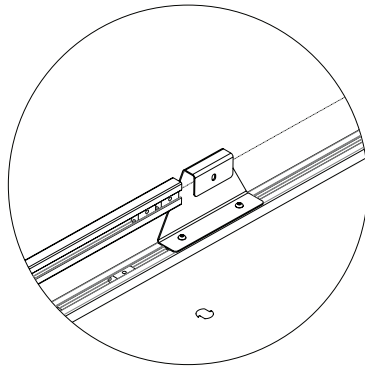


**DO NOT TIGHTEN!**

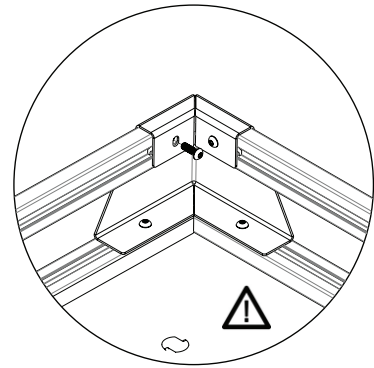
# GUARDRAIL ASSEMBLY



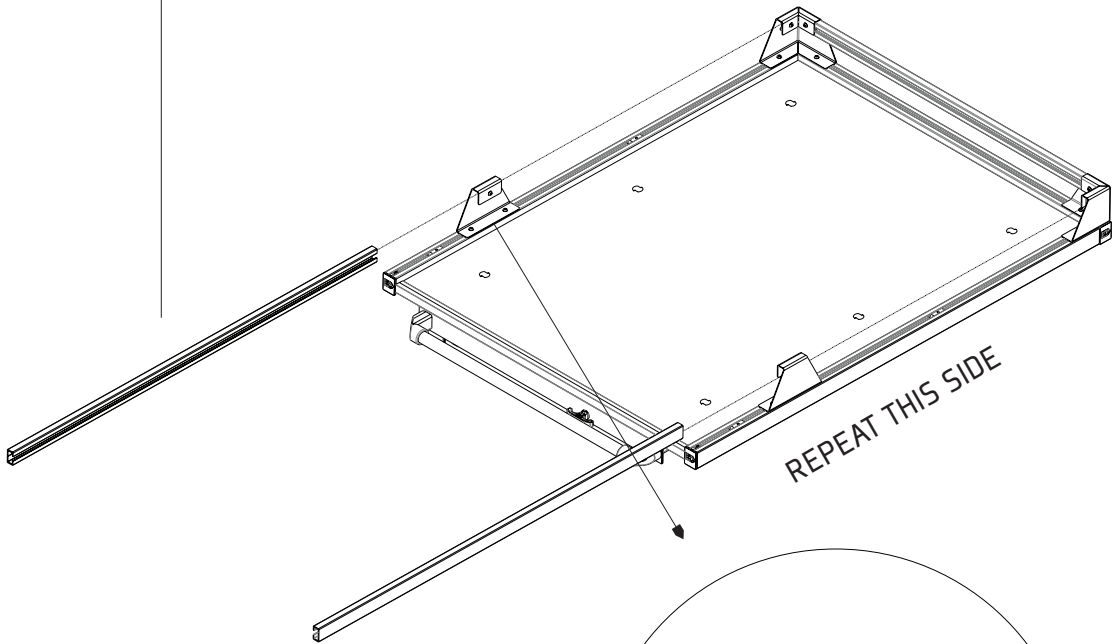
1.



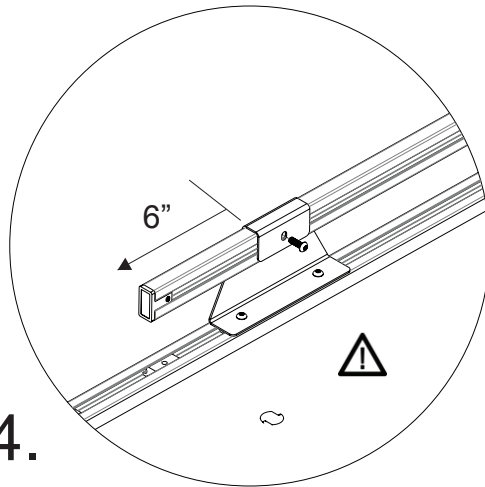
2.



3.



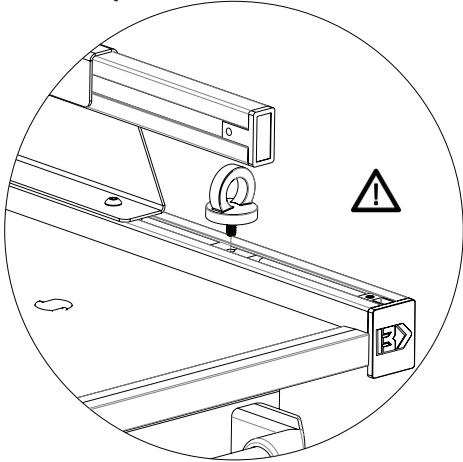
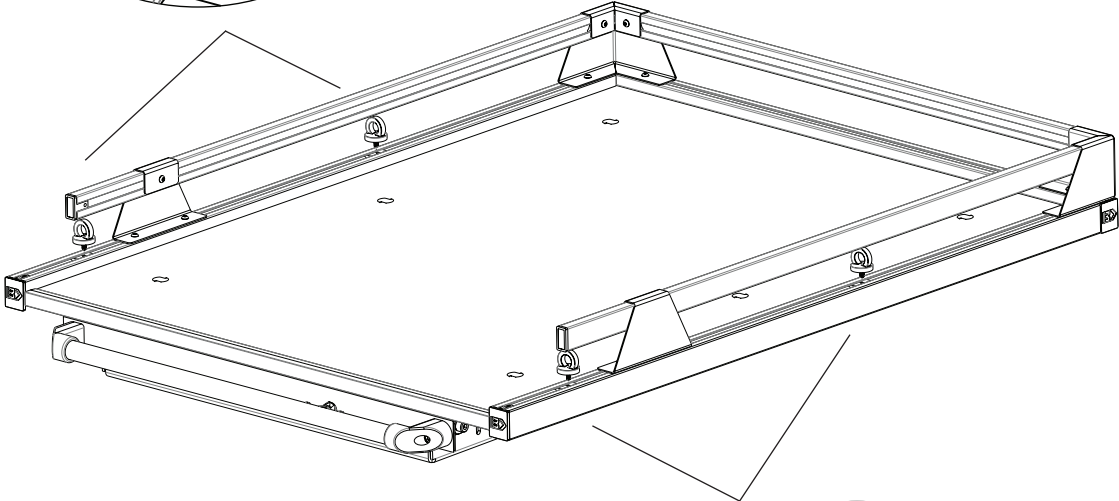
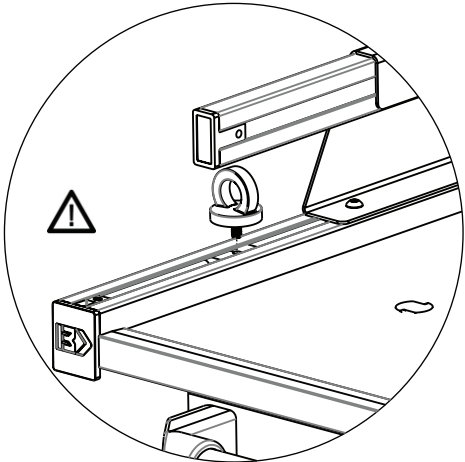
5/32" ALLEN KEY



4.

 DO NOT TIGHTEN!

**GUARDRAIL ASSEMBLY**

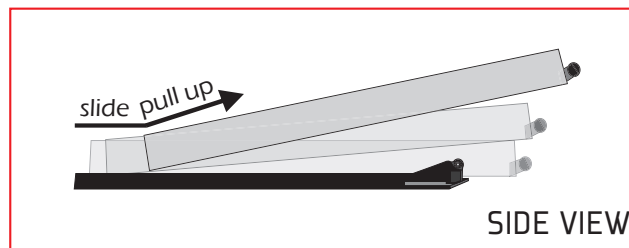
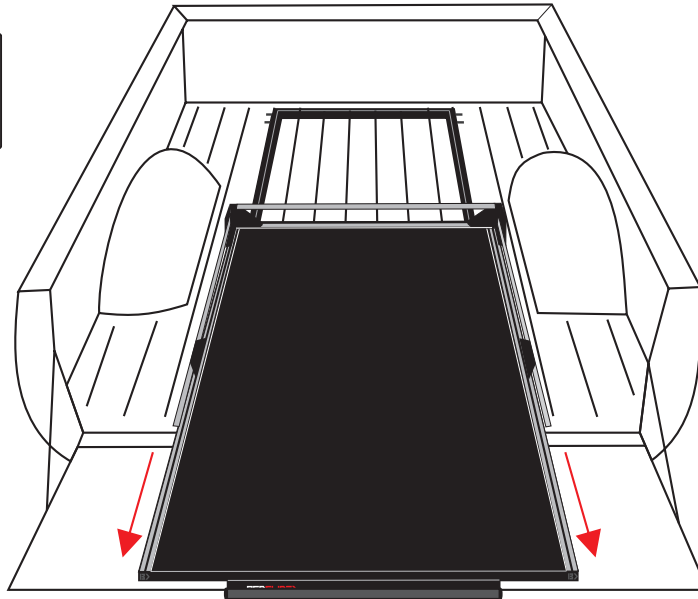


 **TIGHTEN ALL PREVIOUS STEPS SNUG PLUS A 1/4 TURN!**

## INSTALLATION

### 1 SEPARATE SLIDING TOP FRAME FROM THE BASE

Fully extend the BEDSLIDE® and remove the top frame by lifting up and out. The welded safety stops must go up and over the rear roller bearings and spacer guides in order for the top frame to release. **This step will require 2 people to help lift!**




## INSTALLATION

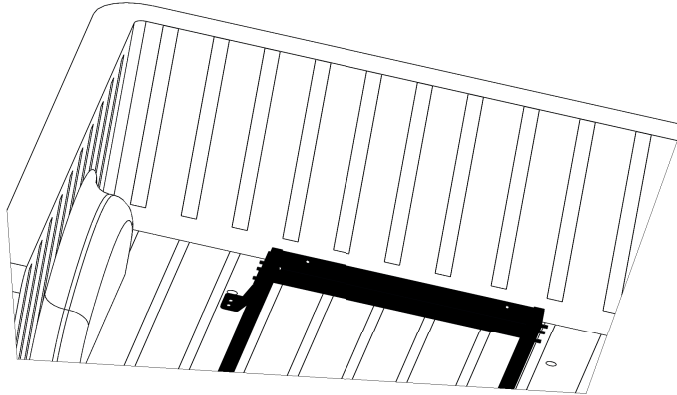
### 2 ATTACH FRONT (CAB END) MOUNTING BRACKETS

Attach LEFT and RIGHT mounting brackets to the threaded studs affixed to each side of the base frame. Secure each bracket with two 5/16-18 serrated flange nuts & tighten with a torque wrench.

 **TIGHTEN TO MANUFACTURE SPECS, 20 FT. LBS.**

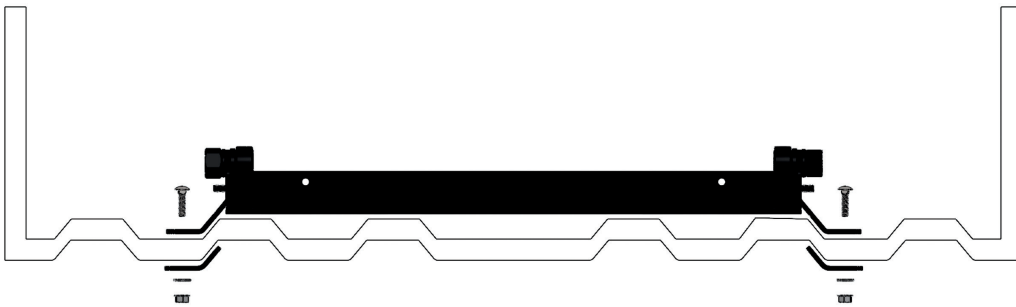
 x4  
5/16-18 SERRATED  
FLANGE NUT

  
TORQUE WRENCH  
& 1/2" SOCKET



### 3 SECURE FRONT (CAB END) MOUNTING BRACKETS TO THE BED

Using bottom mount brackets on the underside of the bed, secure both the LEFT and RIGHT mounting brackets.



 **DO NOT TIGHTEN!**

## INSTALLATION

### 4 ATTACH REAR MOUNTING BRACKETS

Attach LEFT and RIGHT mounting brackets to the threaded studs affixed to each side of the base frame. Secure each bracket with two 5/16-18 serrated flange nuts & tighten with a torque wrench.

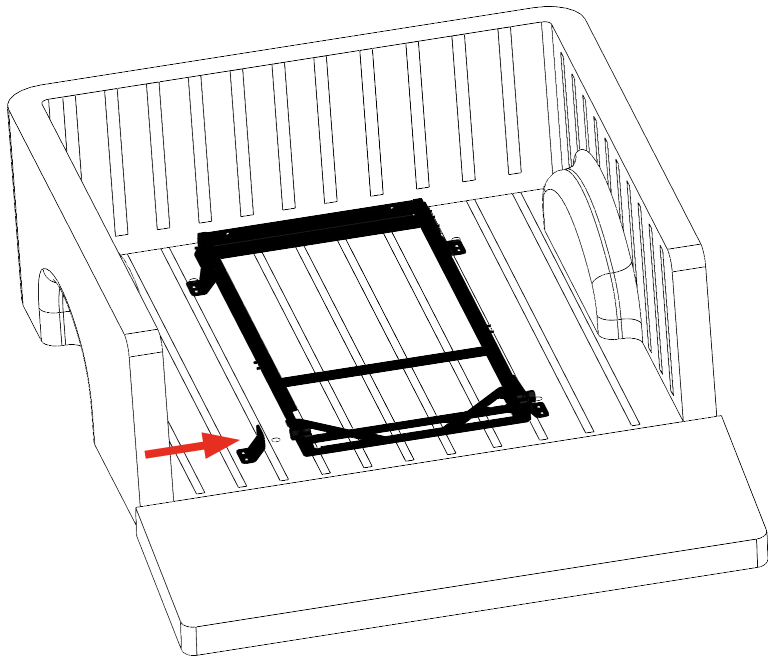
 **TIGHTEN TO 20 FT. LBS.**



5/16-18 SERRATED  
FLANGE NUT



TORQUE WRENCH  
& 1/2" SOCKET



### 5 SECURE REAR MOUNTING BRACKETS TO THE BED

Using bottom mount brackets on the underside of the bed, secure both the LEFT and RIGHT mounting brackets.

 **TIGHTEN ALL FOUR BED BOLTS TO 35 FT. LBS. TO SECURE THE BEDSLIDE® IN PLACE.**



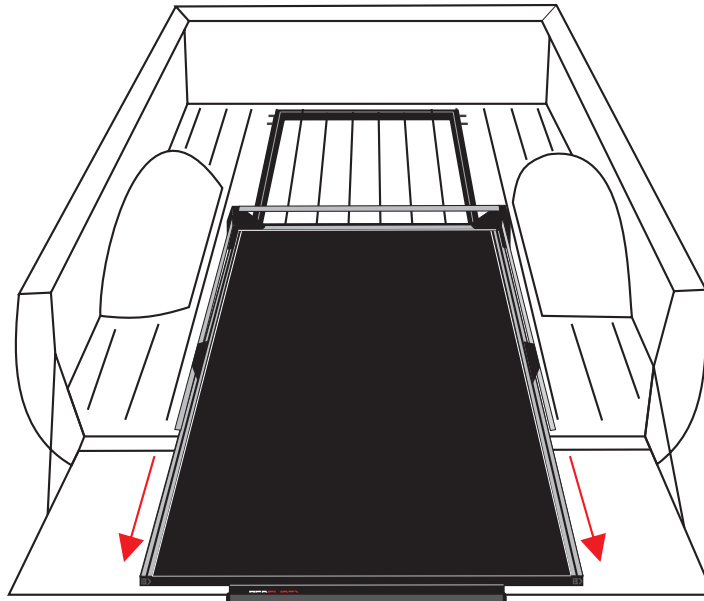
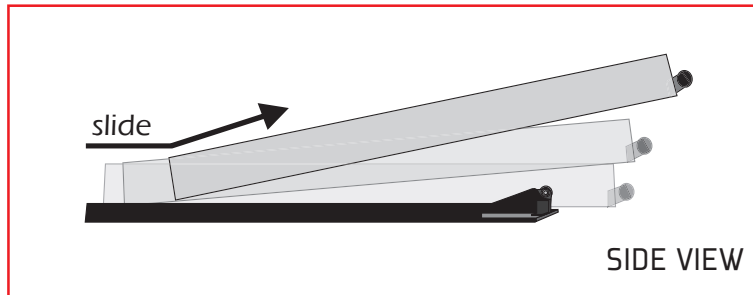
TORQUE WRENCH  
& 9/16" SOCKET

## INSTALLATION

### 6 RE-INSTALL SLIDING TOP FRAME

Re-install the BEDSLIDE® top frame into the base by placing top frame over the rear bearings and sliding the frame forward to the stowed position.

**This step will require 2 people to help lift!**



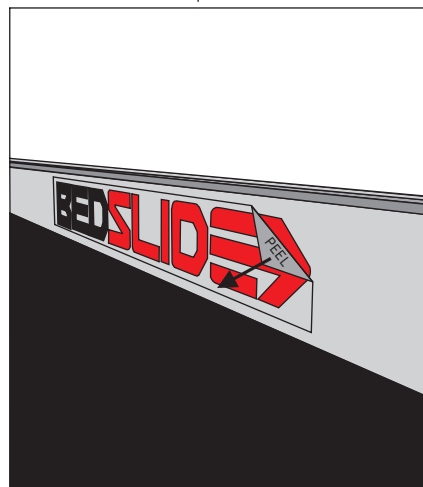
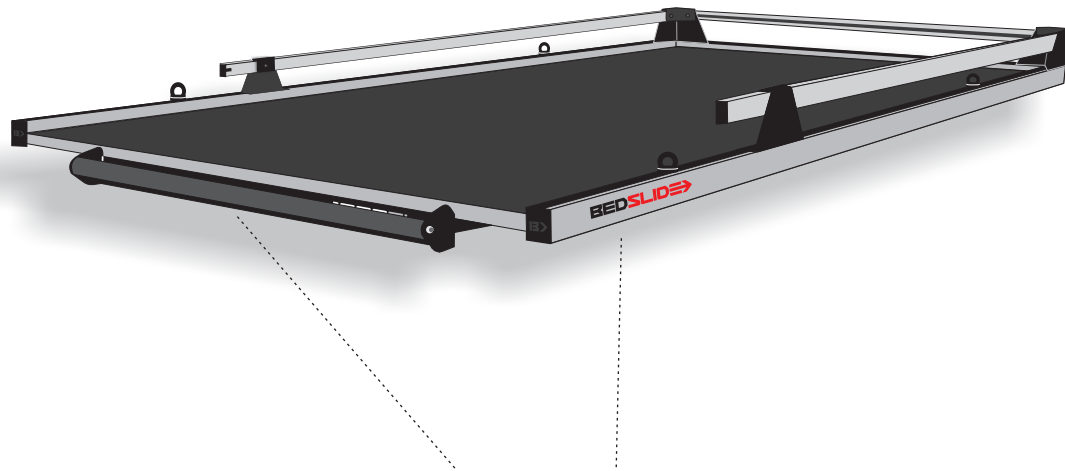
## INSTALLATION

### 7 PROTECTIVE FILM REMOVAL

Pull a corner of the protective film and slowly pull it away from the die cut decals on each side of the tie down rails.



If the film comes up with a letter attached, position back in place and rub with a card such as a bank card or even your hand so the decal adheres to the surface of the tie down rail.





## OPERATION

### PROPER BEDSLIDE OPERATION

Proper operation will ensure many years of great service from your BEDSLIDE®.

Below are 4 easy steps for proper operation:

1. Pull T-handle against the grab bar
2. With both hands firmly on the bar handle, slide to desired extension
3. Release handle and ensure it is in a locked position
4. Reverse steps to retract



**Do not operate on steep inclines!**

Failure to do so can result in a runaway slide if the vehicle is on an incline. Utilize safety straps when BEDSLIDE® is in retracted position.



**Do not load the BEDSLIDE® beyond it's weight capacity!**

Overloading the unit may cause damage to the steel frame or roller bearings.



**Keep weight evenly distributed!**

Improper loading may cause damage to the frame or roller bearings.



**Do not drive in the extended position!**

It is not safe and may cause damage to the latching pin or cause serious damage to the BEDSLIDE® frame.



**Avoid fuel, oil, and chemical spills on the deck surface!**

Prolonged exposure to fuel or chemicals will result in permanent stains on the deck surface. Wipe away immediately to avoid deck damage.