

JEEP GLADIATOR

TRUCK CAPS

 **LEER**[®]

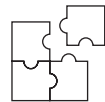


FOR ALL THINGS TRUCK-RELATED, TRUST THE ORIGINAL TRUCK EXPERTS.

For over 50 years, LEER® has never rested. We constantly push every process, every component, latch, and knob to exceed expectations, last longer, and be stronger. We fully believe beauty, brawn, and brains are never optional but mandatory. Protecting your valuable cargo is paramount. This is our commitment to you: a relentless passion for unsurpassed quality that makes LEER not only a leader, but a legend.



**NORTH AMERICA'S
MOST TRUSTED
TRUCK CAPS**



**CUSTOM CREATED
TO MATCH EVERY
TRUCK MODEL**



**AERODYNAMIC
STYLING FOR
IMPROVED AIRFLOW**



**LIMITED LIFETIME
WARRANTY†**

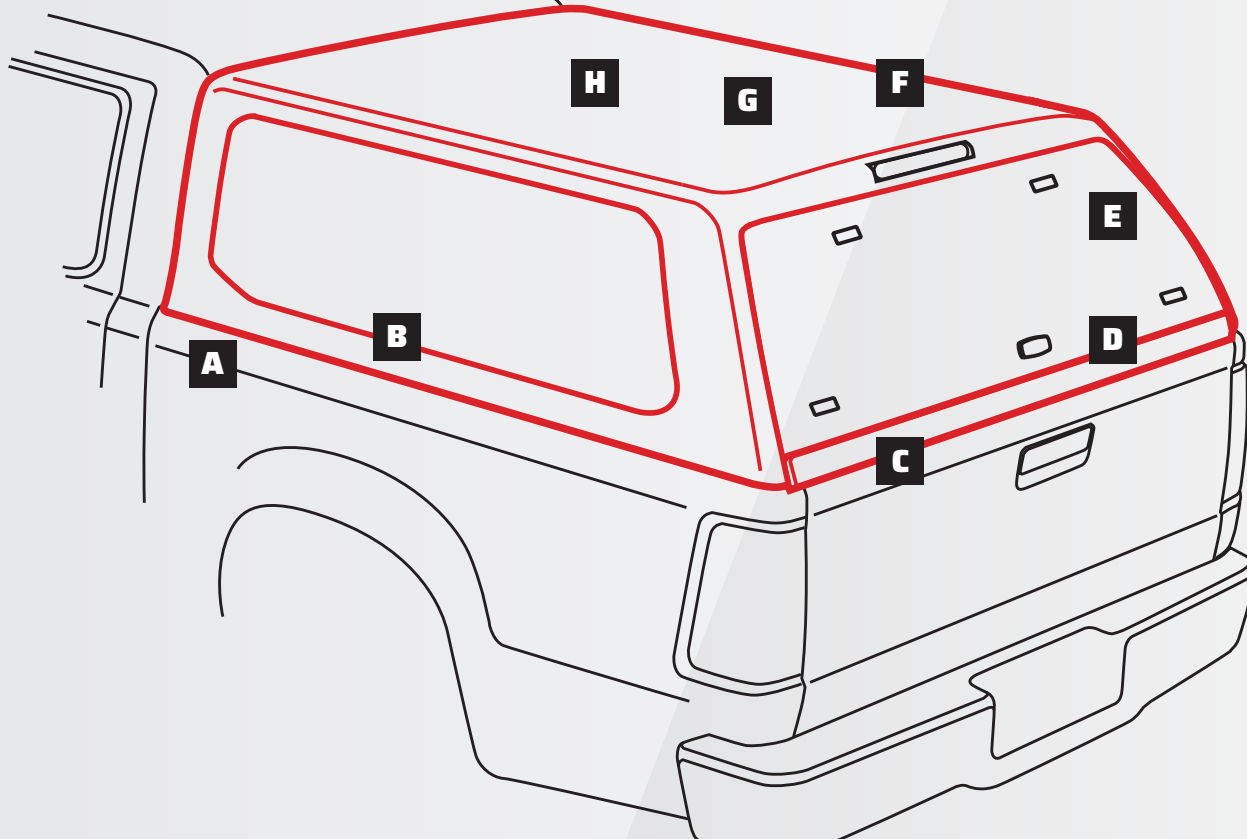
† See complete warranty statement for details.



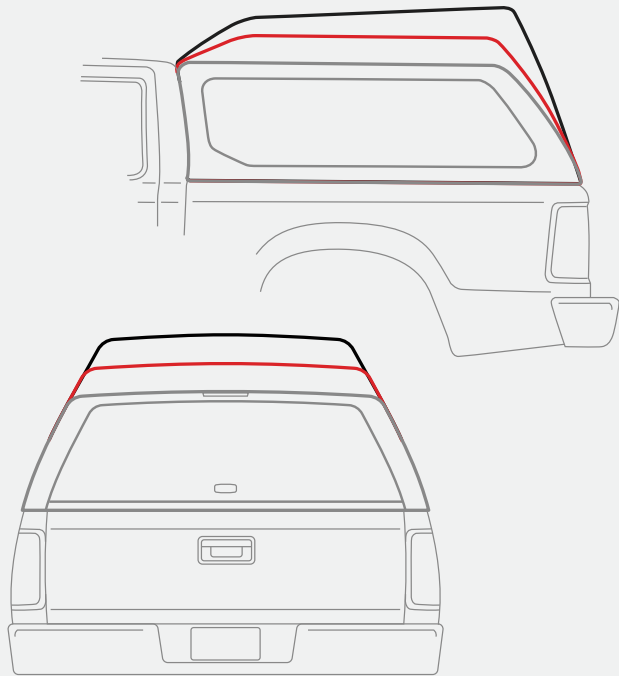


BEAUTY. BRAWN. BRAINS.

LEER® fiberglass truck caps are the perfect blend of capability, capacity, and convenience designed to make life easier, more successful, and more fun. With multiple models to choose from — all loaded with standard features and customizable options — LEER offers incredible flexibility to get exactly what you want, including upgraded security, window functionality, and the latest innovations like keyless entry.



- A** Custom Designed for Every Jeep Truck Model
- B** Precision Engineered to Fit Your Truck Bed
- C** Contoured Tailgate Overlay
- D** Heavy-duty, Weather-resistant Seals
- E** Tinted, Tempered Automotive Glass Rear Doors and Side Windows
- F** Axalta Automotive Paint for Color Match
- G** Low Resin-filled Fiberglass for Improved Impact Resistance
- H** Reinforced Roof



LEER CAP HEIGHTS

Capacity should never hold you back. LEER offers three cap heights so you never fall short on any challenge. And with our balanced design approach of cargo capacity, fuel-efficiency, low road noise, and stunning aesthetics, LEER truck caps always deliver on both form and function.

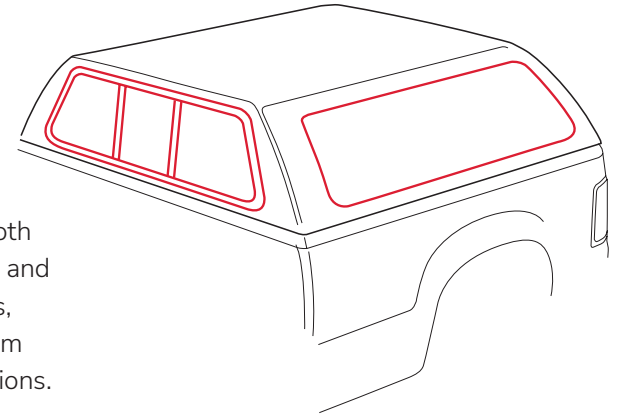
HIGH-RISE up to 40% more storage capacity on LEER 122

MID-RISE up to 15% more storage capacity on LEER 180 Series

CAB-HIGH Consistent height with your truck cab

WINDOWS TO THE WORLD

Windows matter. But not one window is right for everyone, so LEER® gives you many options for both cab and side windows to get the look, ventilation, and utility you're after. From solid windows to tip-outs, sliding to removable, it's your truck cap, and we aim to make it not just meet but exceed your expectations. When choosing your window, see the features & options chart on page 7.



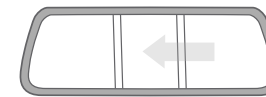
FRONT WINDOWS



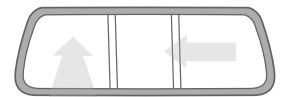
Framed Front Picture Window



Removable Front Picture Window

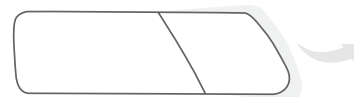


Framed Front Sliding Window



Removable Front Sliding Window*

SIDE WINDOWS



Side Windows w/Twist-Out Vents and Screens



One-Piece, Tip-Out Side Windows w/Screen (back part only)



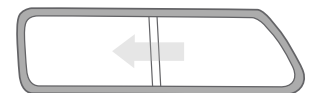
Side Bay Windows



Radius Side Windows



Radius Side Window Sliders



Sliding Windows w/Screens



100S

LEADING WITH VALUE.

This sleek, versatile truck cap is standard equipped with side sliding windows to catch the breeze. Option 100S with smooth sides for cargo privacy - it's the perfect place to add graphics to promote your business.

- Framed front picture window
- Side sliding windows with screens
- Recessed framed rear door with 2 T-handle locks
- 12-Volt dome light
- 12-Volt fuse box
- + Solid sides - no window
- + Radius side window
- + Radius side window slider
- + Toolbox Options A, B, and C
- + Aluminum composite side access door with 2 T-Handle locks
- + Solid fiberglass side access door with drop T-Handle
- + Keyless entry (Available with drop T-Handle only)

KEY • Standard + Option

STANDARD FEATURES ON ALL MODELS

- One-Piece Fiberglass Base Rails
- Framed Front Picture Window
- Gas Door Props
- Recessed Third Brake Light
- Designed for Custom Fit
- Installation Bulb Seal
- Limited Lifetime Warranty
- Axalta Automotive Paint
- J-Bolt Installation Clamps
- Tinted Rear Glass Doors
- Insulated Roof
- Skirted Rail (Varies by Model)



100XQ

SUBSTANCE MEETS STYLE

Our premium LEER® 100XQ features frameless, tip-out side windows designed to complement your truck's styling while providing optimal airflow. Its curved-glass rear door completes the look with premium hidden hinges and weather-resistant door skirt. In other words, if you want it all, 100XQ delivers.

- One-piece, tip-out side windows with removable screens
- Frameless curved glass rear door
- Rotary latch system
- Headliner
- + Keyless entry

All fiberglass caps are shown with RXF Textured Jet Black Matte finish. Painted-to-match is available for all models.

- Rugged, Contemporary Styling
- Coordinates with Any Color Truck
- Easy to Maintain Finish





RECREATIONAL TRUCK CAP COMPARISON CHART

- 1 Requires Headliner
- 2 Requires Fuse Box
- 3 Requires Full Cap Headliner
- 4 Not Available with LEER Locker
- 5 Not Available with Toolbox
- 6 Not Available with 2022-2025 Ford Maverick
- 7 Requires Thule Tracks or (8) Cargo Hooks for Install
- 8 100S TC24, FR24, FR25-R, TT22 Specialty Clamps included as Standard

Not all options are available for all models and trucks. LEER maintains the right to add, delete, or change designs and/or suppliers of options when necessary to maintain or improve the overall quality without written notice.



LEER LOCKER

Organization is key. LEER Locker transforms overhead space into a sliding drawer to make order out of any chaos. Tools, sports equipment, landscaping — you name it.

LEER Locker is the pro's tried, true, and tested storage solution forged to handle the toughest wear, and the most random of requests.

BEDSLIDE

Your world is now at your fingertips with BEDSLIDE®. This innovative slide system puts everything easily within reach. And with a selection of models with capacities ranging from 1,000 to 2,000 lbs. and options that include multiple bins to organize tools and recreation gear, BEDSLIDE is a proven winner.



	100XQ	100S	
FRONT WINDOW	Standard	+	
	Option	•	
	Framed Front Picture Window	•	•
	Framed Front Sliding Window	+	+
	Removable Front Picture Window	+	+
SIDE	Removable Front Sliding Window	+	+
	Solid Front - No Front Window	+	+
	One-piece Tip-Out Side Window	•	•
	Side Sliding Windows	•	•
	Frameless Side Windows w/Twist-Out Vents	•	•
	Radius Side Window	+	+
	Radius Side Window Slider	+	+
	Aluminum Composite Side Access Door w/2 T-Handles	+	+
	Solid Fiberglass Side Access Door w/Drop T-Handle	+	+
	Solid Side - No Window	+	+
REAR DOOR	Screen Protector (Available for Side Sliding Window)	+	+
	Keyless Entry Side Door (Available on 100S w/Drop T-Handle only)	+	+
	Recessed Framed Rear Door w/2 T-Handle Locks	•	•
	Frameless Hidden Hinge Curved Rear Door	•	•
	Framed Aluminum Composite Panel Rear Door w/2 T-Handles	+	+
	Framed Solid Fiberglass Panel Rear Door w/Drop T-Handle	+	+
	LEER Twist Handle Lock w/Flip-Up Weather Cover	•	•
	LEER Flip-Lock Handle	•	•
	Automotive Style Rotary Latches	•	•
	Keyless Entry Rear Door (Available on 100S w/ Drop T-Handle only)	+	+
LIGHTS/ELECTRIC	12V Dome Light	+	•
	Dual 12V Dome Light	+1	+1
	20" Adjustable LED Tube Light - Rear Location	•	+
	20" Adjustable LED Tube Light - Additional Locations	•	+1
	Dual 20" Adjustable LED Tube Light	+1	+1
	Dual 42" Adjustable LED Tube Light	•	•
	Gas Prop Switch for 12V Dome or LED Tube Light	+	+2
	Battery Dome Light	+	+
	Dual Battery Dome Light	+	+
	No Interior Light	+	+
INTERIOR	12V 3-Outlet Power Box	+	+
	7-Way Harness	+	+
	Fuse Box	•	•
	Headliner	•	+
	Toolbox - Option A, B, or C	•	+
	Non-Slip Mat for Toolbox Shelf	•	+
	Headliner - Exterior of Toolbox	•	+3
	Clothes Hanger - Single and Double Options	+4.6	+4
	Fishing Rod Rack - Single and Double Options	+4	+4
	LEER Locker	+7	+5.6
RACKS	Gear Net	+4.7	+4.7
	Cargo Hooks - 4 and 8 Hook Options	+4	+4
	Thule Tracks Only	+	+
	Thule w/Square Load Bars (50" or 60")	+	+
	Thule w/WingBar Evo Silver or Black (47" or 53")	+	+
	Thule w/Pro Bars (69" or 78")	+	+
	Thule Roof Rack Accessories	+	+
	Kargo Master and Prime Design Commercial Racks	•	•
	Installation Components - Bulb Seal, J-Bolt Clamp System	•	•



Top off your LEER truck cap with a wide assortment of Thule roof racks and track systems. It's the finishing touch that helps you pile on the possibilities.



THULE TRACKS ONLY
(Works with most track mounted crossbars)



THULE SQUARE LOAD BAR
Roof Rack System
• Steel | 47", 53", 60" | Black
• Price conscious customers will like the basic function. 7" slot for mounting feet.



THULE WING BAR
Evo Roof Rack System
• Aluminum | 47", 53" | Black or silver
• Aluminum crossbar won't rust. Wing shape provides a quieter ride. 7" slot for mounting feet.



THULE PRO BAR
Roof Rack System
• Aluminum | 69", 78" | Black
• Works well with wider trucks but features a mounting slot along the entire length of the crossbar making this style more flexible.

Every LEER cap comes loaded with standard features to help you work hard and play easy. Additional accessories are also available to customize your cap for added utility, ventilation, security, and convenience. Find what's right for you.



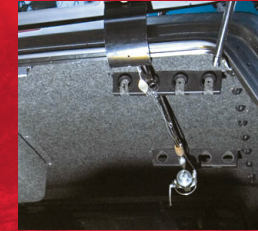
**KEYLESS ENTRY
(USING YOUR TRUCK'S
KEY FOB)**



SCREEN PROTECTORS



**INTERIOR CLOTHES
HANGER (SINGLE OR
DOUBLE)**



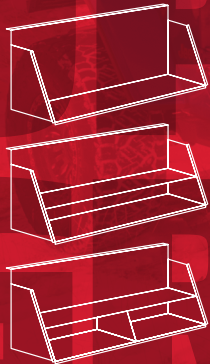
FISHING ROD HOLDER



LED TUBE LIGHTING

TOOLBOX OPTIONS

Take your LEER cap to work with these popular toolbox options: available on 100S (requires side access doors).



OPTION A

OPTION B

OPTION C



**SWITCH ACTIVATED
LIGHTING**



INTERIOR HEADLINER



**THREE-OUTLET 12-
VOLT POWER BLOCK**



**OVERHEAD GEAR
NET (REQUIRES
ROOF RACK)**



**INTERIOR ROOF-
MOUNT CARGO HOOKS**

Complete your Jeep Truck with North America's Most Trusted Truck Cap Brand

VISIT LEER.COM



All illustrations and specifications contained in this literature are based on the latest product information at the time of publication. Check with your local LEER Retailer for complete product information. LEER reserves the right to make changes in prices, colors, materials, equipment, specifications, and models at any time without notice or prior obligation.
© 2026 Truck Accessories Group, LLC d/b/a Leer Group; a J.B. Poindexter Company. #LG-344

Backed by the LEER Limited Lifetime Warranty. See complete warranty statement for details.

! CALIFORNIA PROPOSITION 65 WARNING

WARNING: This product contains chemicals known to the State of California to cause cancer and birth defects or other reproductive harm.

For more information:
P65Warnings.ca.gov

AUTHORIZED LEER RETAILER

REV 01/26

