

HONDA

TRUCK CAPS

 **LEER**<sup>®</sup>

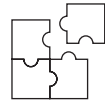


# FOR ALL THINGS TRUCK-RELATED, TRUST THE ORIGINAL TRUCK EXPERTS.

For over 60 years, LEER® has never rested. We constantly push every process, every component, latch, and knob to exceed expectations, last longer, and be stronger. We fully believe beauty, brawn, and brains are never optional but mandatory. Protecting your valuable cargo is paramount. This is our commitment to you: a relentless passion for unsurpassed quality that makes LEER not only a leader, but a legend.



**NORTH AMERICA'S  
MOST TRUSTED  
TRUCK CAPS**



**CUSTOM CREATED  
TO MATCH EVERY  
TRUCK MODEL**



**AERODYNAMIC  
STYLING FOR  
IMPROVED AIRFLOW**



**LIMITED LIFETIME  
WARRANTY†**

† See complete warranty statement for details.

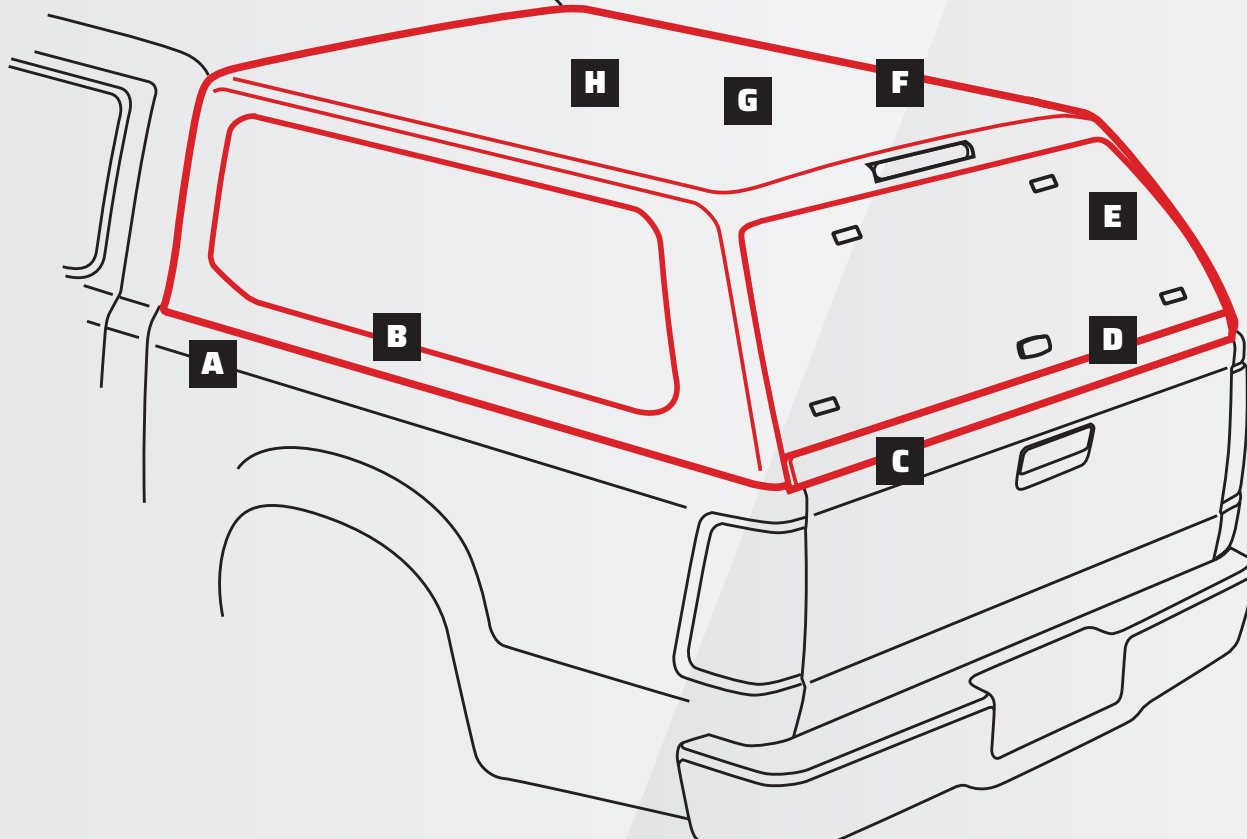




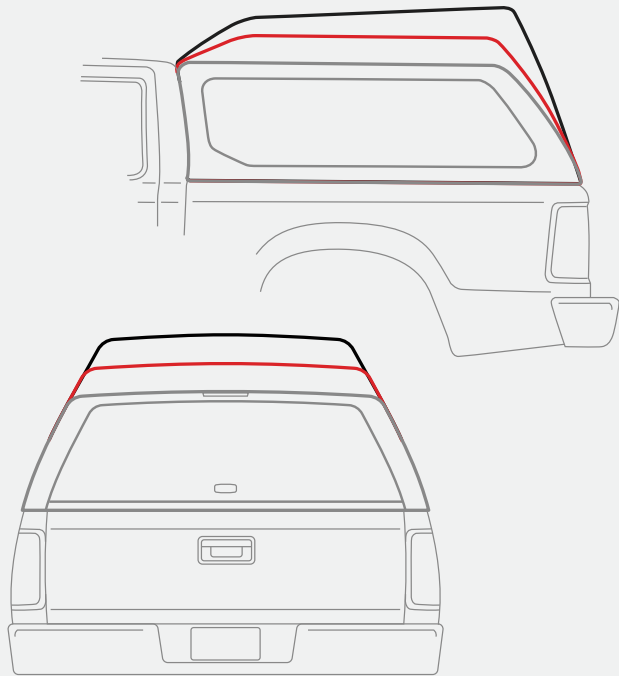
ER

# BEAUTY. BRAWN. BRAINS.

LEER® fiberglass truck caps are the perfect blend of capability, capacity, and convenience designed to make life easier, more successful, and more fun. With multiple models to choose from — all loaded with standard features and customizable options — LEER offers incredible flexibility to get exactly what you want, including upgraded security, window functionality, and the latest innovations like keyless entry.



- A** Custom Designed for Every Honda Truck Model
- B** Precision Engineered to Fit Your Truck Bed
- C** Contoured Tailgate Overlay
- D** Heavy-duty, Weather-resistant Seals
- E** Tinted, Tempered Automotive Glass Rear Doors and Side Windows
- F** Axalta Automotive Paint for Color Match
- G** Low Resin-filled Fiberglass for Improved Impact Resistance
- H** Reinforced Roof



## LEER CAP HEIGHTS

Capacity should never hold you back. LEER offers three cap heights so you never fall short on any challenge. And with our balanced design approach of cargo capacity, fuel-efficiency, low road noise, and stunning aesthetics, LEER truck caps always deliver on both form and function.

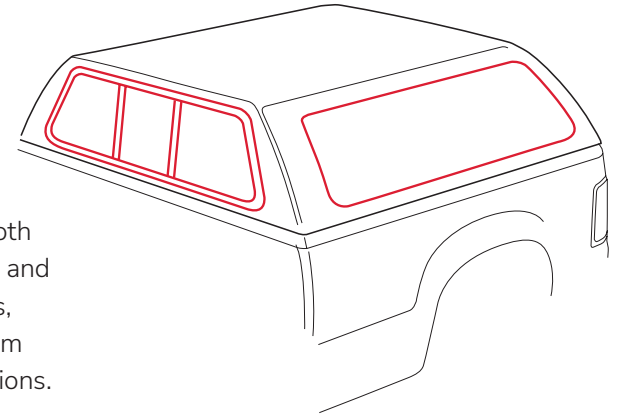
**HIGH-RISE** up to 40% more storage capacity on LEER 122

**MID-RISE** up to 15% more storage capacity on LEER 180 Series

**CAB-HIGH** Consistent height with your truck cab

## WINDOWS TO THE WORLD

Windows matter. But not one window is right for everyone, so LEER® gives you many options for both cab and side windows to get the look, ventilation, and utility you're after. From solid windows to tip-outs, sliding to removable, it's your truck cap, and we aim to make it not just meet but exceed your expectations. When choosing your window, see the features & options chart on page 7.



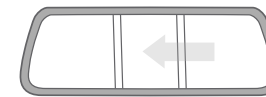
### FRONT WINDOWS



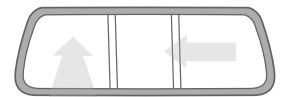
Framed Front Picture Window



Removable Front Picture Window

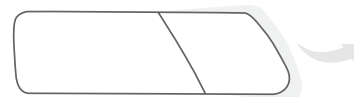


Framed Front Sliding Window



Removable Front Sliding Window\*

### SIDE WINDOWS



Side Windows w/Twist-Out Vents and Screens



One-Piece, Tip-Out Side Windows w/Screen (back part only)



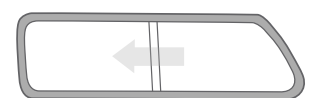
Side Bay Windows



Radius Side Windows



Radius Side Window Sliders



Sliding Windows w/Screens



## 100XL

# SAFER. SLEEKER. SMARTER.

LEER 100XL dials up the amenities, security, and design to enjoy more of every mile. Its fluid lines and premium components give the 100XL the look of a high-end SUV with the utility and capacity to win at any adventure.

- Recessed side windows with twist-out vents and screens
- Frameless curved glass
- Rotary latch system
- Headliner
- + Keyless entry rear door



## 100XR

# IN FULL VIEW

LEER enthusiasts love the wide viewing angles of the 100XR all-glass rear door with center-mounted LEER flip lock. And with its recessed 50/50 sliding windows, 100XR provides incredible ventilation throughout the cap.

- Recessed tinted side sliding windows & screens
- Frameless curved glass rear door
- Rotary latch system
- + Keyless entry with upgraded lock
- + Aluminum composite side access doors w/2 T-handle locks

**KEY** • Standard + Option

### STANDARD FEATURES ON ALL MODELS

- One-Piece Fiberglass Base Rails
- Recessed Third Brake Light
- Limited Lifetime Warranty
- Tinted Rear Glass Doors
- Framed Front Picture Window
- Designed for Custom Fit
- Axalta Automotive Paint
- Insulated Roof
- Gas Door Props
- Installation Bulb Seal
- J-Bolt Installation Clamps
- Skirted Rail (Varies by Model)



# RECREATIONAL TRUCK CAP COMPARISON CHART

- 1 Requires Headliner
- 2 Requires Fuse Box
- 3 Requires Full Cap Headliner
- 4 Not Available with LEER Locker
- 5 Not Available with Toolbox
- 6 Not Available with 2022-2025 Ford Maverick
- 7 Requires Thule Tracks or (8) Cargo Hooks for Install
- 8 100S TC24, FR24, FR25-R, TT22 Specialty Clamps included as Standard

Not all options are available for all models and trucks. LEER maintains the right to add, delete, or change designs and/or suppliers of options when necessary to maintain or improve the overall quality without written notice.



## LEER LOCKER

Organization is key. LEER Locker transforms overhead space into a sliding drawer to make order out of any chaos. Tools, sports equipment, landscaping — you name it.

LEER Locker is the pro's tried, true, and tested storage solution forged to handle the toughest wear, and the most random of requests.

## BEDSLIDE

Your world is now at your fingertips with BEDSLIDE®. This innovative slide system puts everything easily within reach. And with a selection of models with capacities ranging from 1,000 to 2,000 lbs. and options that include multiple bins to organize tools and recreation gear, BEDSLIDE is a proven winner.



|  | 100XL   | 100XR          |      |
|--|---|----------------|------|
| <b>FRONT WINDOW</b>                                  | Standard  | Option         |      |
|  | Framed Front Picture Window                                       | •              | •    |
|  | Framed Front Sliding Window                                       | +              | +    |
|  | Removable Front Picture Window                                    | +              | +    |
|  | Removable Front Sliding Window                                    | +              | +    |
| <b>SIDE</b>  | Solid Front - No Front Window                                     | +              | +    |
|  | One-piece Tip-Out Side Window                                     |                |      |
|  | Side Sliding Windows  |                | •    |
|  | Frameless Side Windows w/Twist-Out Vents                          | •              |      |
|  | Radius Side Window  |                | +    |
|  | Radius Side Window Slider   |                | +    |
|  | Aluminum Composite Side Access Door w/2 T-Handles                 |                | +    |
|  | Solid Fiberglass Side Access Door w/Drop T-Handle                 |                | +    |
|  | Solid Side - No Window  |                | +    |
|  | Screen Protector (Available for Side Sliding Window)              |                | +    |
| <b>REAR DOOR</b>                                     | Keyless Entry Side Door (Available on 100S w/Drop T-Handle only)  |                | +    |
|  | Recessed Framed Rear Door w/2 T-Handle Locks                      |                |      |
|  | Frameless Hidden Hinge Curved Rear Door                           | •              | •    |
|  | Framed Aluminum Composite Panel Rear Door w/2 T-Handles           |                |      |
|  | Framed Solid Fiberglass Panel Rear Door w/Drop T-Handle           |                |      |
|  | LEER Twist Handle Lock w/Flip-Up Weather Cover                    | •              |      |
|  | LEER Flip-Lock Handle   |                | •    |
|  | Automotive Style Rotary Latches                                   | •              | •    |
|  | Keyless Entry Rear Door (Available on 100S w/ Drop T-Handle only) | +              | +    |
|  | <b>LIGHTS/ELECTRIC</b>  | 12V Dome Light | •    |
| Dual 12V Dome Light                                  |   | +1             | +1   |
| 20" Adjustable LED Tube Light - Rear Location        |   | +              | +    |
| 20" Adjustable LED Tube Light - Additional Locations |   |                | +1   |
| Dual 20" Adjustable LED Tube Light                   |   | +1             | +1   |
| Dual 42" Adjustable LED Tube Light                   |   |                |      |
| Gas Prop Switch for 12V Dome or LED Tube Light       |   | +              | +    |
| Battery Dome Light                                   |   | +              | +    |
| Dual Battery Dome Light                              |   | +              | +    |
| No Interior Light                                    |   | +              | +    |
| <b>INTERIOR</b>                                      | 12V 3-Outlet Power Box  | +              | +    |
|  | 7-Way Harness   | +              | +    |
|  | Fuse Box  | •              | •    |
|  | Headliner   | •              | +    |
|  | Toolbox - Option A, B, or C                                       |                | +    |
|  | Non-Slip Mat for Toolbox Shelf                                    |                | +    |
|  | Headliner - Exterior of Toolbox                                   |                | +3   |
|  | Clothes Hanger - Single and Double Options                        | +4             | +4   |
|  | Fishing Rod Rack - Single and Double Options                      | +4             | +4   |
|  | LEER Locker   | +6             | +5,6 |
| <b>RACKS</b>   | Gear Net  | +4,7           | +4,7 |
|  | Cargo Hooks - 4 and 8 Hook Options                                | +4             | +4   |
|  | Thule Tracks Only   | +              | +    |
|  | Thule w/Square Load Bars (50" or 60")                             | +              | +    |
|  | Thule w/WingBar Evo Silver or Black (47" or 53")                  | +              | +    |
|  | Thule w/Pro Bars (69" or 78")                                     | +              | +    |
|  | Thule Roof Rack Accessories                                       | +              | +    |
|  | Kargo Master and Prime Design Commercial Racks                    |                | +    |
|  | Installation Components - Bulb Seal, J-Bolt Clamp System          | •              | •    |



Top off your LEER truck cap with a wide assortment of Thule roof racks and track systems. It's the finishing touch that helps you pile on the possibilities.



**THULE TRACKS ONLY**  
(Works with most track mounted crossbars)



**THULE SQUARE LOAD BAR**  
Roof Rack System  
• Steel | 47", 53", 60" | Black  
• Price conscious customers will like the basic function. 7" slot for mounting feet.



**THULE WING BAR**  
Evo Roof Rack System  
• Aluminum | 47", 53" | Black or silver  
• Aluminum crossbar won't rust. Wing shape provides a quieter ride. 7" slot for mounting feet.



**THULE PRO BAR**  
Roof Rack System  
• Aluminum | 69", 78" | Black  
• Works well with wider trucks but features a mounting slot along the entire length of the crossbar making this style more flexible.

Every LEER cap comes loaded with standard features to help you work hard and play easy. Additional accessories are also available to customize your cap for added utility, ventilation, security, and convenience. Find what's right for you.



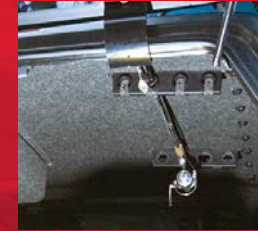
**KEYLESS ENTRY (USING YOUR TRUCK'S KEY FOB)**



**SCREEN PROTECTORS**



**INTERIOR CLOTHES HANGER (SINGLE OR DOUBLE)**



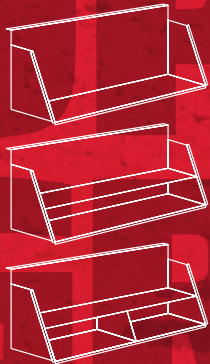
**FISHING ROD HOLDER**



**LED TUBE LIGHTING**

## TOOLBOX OPTIONS

Take your LEER cap to work with these popular toolbox options: available on 100XR (requires side access doors).



**OPTION A**

**OPTION B**

**OPTION C**



**SWITCH ACTIVATED LIGHTING**



**INTERIOR HEADLINER**



**THREE-OUTLET 12-VOLT POWER BLOCK**



**OVERHEAD GEAR NET (REQUIRES ROOF RACK)**



**INTERIOR ROOF-MOUNT CARGO HOOKS**

Complete your Honda Truck with North America's Most Trusted Truck Cap Brand

**VISIT LEER.COM**



All illustrations and specifications contained in this literature are based on the latest product information at the time of publication. Check with your local LEER Retailer for complete product information. LEER reserves the right to make changes in prices, colors, materials, equipment, specifications, and models at any time without notice or prior obligation.

© 2026 Truck Accessories Group, LLC d/b/a Leer Group; a J.B. Poindexter Company. #LG-343

Backed by the LEER Limited Lifetime Warranty. See complete warranty statement for details.

### **⚠ CALIFORNIA PROPOSITION 65 WARNING**

WARNING: This product contains chemicals known to the State of California to cause cancer and birth defects or other reproductive harm.

For more information:  
P65Warnings.ca.gov

### **AUTHORIZED LEER RETAILER**

REV 01/26

